

Invacare® Top End® Force™ Handcycle

Price List and Order Form

Effective April 30, 2007 Revised July 1, 2008



For accuracy of ordering, please fax order to Top End at 727-522-1007 or e-mail to TopEndOrders@invacare.com

For questions call 800-532-8677 or 727-522-8677.

To order Literature: 800-828-6282

www.topendwheelchair.com

Provider Name _____	Date _____	Top End Job Number _____
Account # _____	P.O. # _____	Phone # _____
Address _____	City _____	State _____ Zip Code _____
Customer Name _____	Phone No _____	
Address _____	City _____	State _____ Zip Code _____
Ship order to: <input type="checkbox"/> Provider <input type="checkbox"/> Customer		Order will ship to Provider unless otherwise noted.

TOP END FORCE HANDCYCLE: Reclining Position

- FRC Top End Force Handcycle**.....\$4,295.00
- 1. **Seat Width:** 14" 15" 16" 17" 18" (For Diagram, see pg. 2)
- 2. **Wheel base:** 60" recommended for users taller than 5'6".
 60" (standard) 57"
- 3. **Customer Detail:** Height _____ Weight _____ Disability _____
- 4. **Component Choices:** (choose one)
Shifter / Brake / Front Wheel Derailleur Packages
 - Rapidfire® Brake/Shifter with Shimano® XT Derailleur, KMC® Chain**Standard**
 - XLT53¹** SRAM® Grip Shifter, Paul® Component Brake Lever and SRAM® X.O. Derailleur / SRAM Hollow Pin Chain550.00
 - XLT54²** SRAM® Trigger Shifter, Paul® Component Brake Lever and SRAM® X.O. Derailleur / SRAM® Hollow Pin Chain625.00
- 5. **Mounting Position: Shifter / Brake Lever** (choose one)
 - Right Handle**Standard**
 - Left Handle..... No charge
- 6. **Caliper Brake Choices:** (choose one)
 - Cane Creek® SCR-3.....**Standard**
 - XLT55³** Cane Creek® SL with Titanium Hardware150.00
- 7. **Front Wheel Cassette Choice:** (choose one)
 - Shimano® LX 11-32.....**Standard**
 - XLT57⁴** SRAM® 11-21.....50.00
 - XLT58⁴** SRAM® 11-23.....50.00
 - XLT59⁴** SRAM® 12-26.....50.00
- 8. **Chainring Choice:** (choose one) Operated by manual derailleur.
 - 48-40-28**Standard**
 - XLT41** Chainring Option 53-40100.00
- 9. **Top End Cranks: V Crank** (choose length and width)
Diagonal Crank Height Adjustment: 21 - 24"**Standard**
 - XLT61** Vertical Crank Height Adjustment.....150.00
Length: 180mm (std) 190mm 200mm
Width: 18" 20" (std) 22"
 - XLT56** Hand Pedals with Power Plates.....50.00
- 10. **Performance Upgrades:**
 - XLT60⁵** SRM® Training System – Professional Road....3,500.00
- 11. **Camber 9 degrees****Standard**
 - XLT142** Camber 3 degrees100.00

WHEELS (Threaded Axle Only)

- 26" High performance wheels with high pressure clincher tires: **Standard Performance Wheel Upgrade** (does not include standard wheels):
- XLT45** Zipp® 404 26" Carbon rim/ovalized spokes
 Clincher Tubular..... 3,250.00
 - XLT50** Zipp® Time Trial Package:
Front Wheel: Zipp® 404 Rear Wheels: Zipp® Disc
(tubular only)..... 3,750.00
 - XLT3** Tri spoke 26" carbon fiber..... 3,000.00
 Clincher Tubular
 - XLT43** Spinerger® 26" Carbon rim w/white spokes
(clincher only)..... 1,850.00
- Tire Upgrade**
- XLT51** Schwalbe® Stelvio tires (clincher) 135.00
 - XLT52** Tufo® S3 tires 180g (tubular) 125.00

SAFETY & COMFORT OPTIONS

- Cushion.....**Standard**
- Mirror..... 30.00
- Water bottle & cage..... 35.00
- Backpack Hydration System 100.00
- Heart Rate Monitor..... 100.00
- Cordless computer..... 125.00
- Helmet..... 75.00
 Small (6 5/8" – 7")
 Medium (6 7/8" – 7 1/2")
 Large (7 1/4" – 7 5/8")
- Safety Flag 30.00
- Front Safety Light 25.00
- Rear Flashing Light..... 25.00
- Alignment Gauge 75.00
- Bike Rack for Trailer Hitch..... 450.00
 1 1/4" (Std.) 2"
- Cable kit..... 35.00
- Indoor training roller 250.00
- Click strap large (pad length~12") 86.00
- Click strap med (pad length~10").....80.00
- Click strap small (pad length~8").....75.00
- Top End T-Shirt L XL 10.00
- Chain Guard, Clamp-on only 60.00
- Leg Guard Attachment 75.00

FRAME COLOR AND UPHOLSTERY

UPHOLSTERY Black std UPHI Camouflage..... \$100.00

CONTEMPORARY COLORS

- Wet Black Black Prism White Snow
- Silver Metallic Silver Vein Copper Penny

WAY COOL COLORS

- Electric Blue Midnight Blue Cosmic Blue
- Electric Teal Emerald Green Grasshopper Green

TOO HOT COLORS

- Tangerine Red Electric Red Grape Madness
- Safety Yellow Sunkissed Orange Fruit Fusion

Special Instructions:

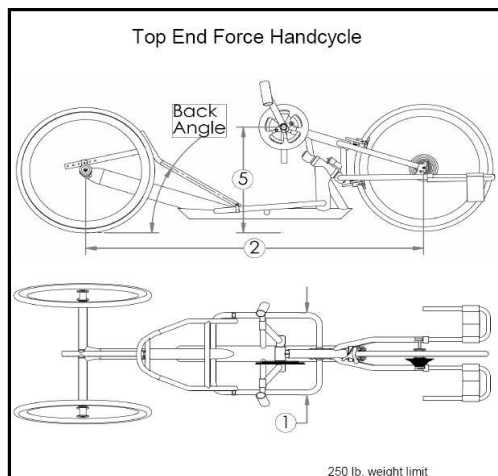
FOOTNOTES

- ¹ Grip shift is operated by rotating the grip mounted on either the right or left handle. Super light. Shifts quickly and accurately, Preferred by most Team Invacare/Top End members.
- ² Thumb and forefinger operated. Super light weight, high quality components. A great choice for those who want low weight and do not like the grip shift.
- ³ Ultra light weight brake calipers with titanium nuts and bolts.
- ⁴ Lightweight cassettes that offer closer gear ratios.
- ⁵ SRM® Power Meter is a state of the art measuring tool. It is like connecting a computer to your handcycle. Visit SRM.de for more details. The Power Meter is integrated directly into the Top End cranks. This is used worldwide by many top professional cyclists and handcyclists.

All prices subject to change w/o notice. All prices in U.S. Dollars. All orders F.O.B. Pinellas Park, Florida, USA

For the most current pricing information go to www.topendwheelchair.com.

Invacare® Top End® Force™ Handcycle



Handpedals – Handpedals are made of lightweight aluminum and are ovalized to precisely fit the hand. The bearings which allow the pedal to rotate while pedaling are located in the crankset and not in the pedal, which makes this pedal very comfortable. Power Plates consist of flat aluminum plates welded the lower end of the pedal.

Footrest – Multi-adjustable fore and aft w/straps to securely cradle calves and feet. Straps are 4" wide and feature safety straps for ankles.

Performance wheels – 36 Spoke wheels with threaded axles and Sun Metal alloy rims. 14 gauge stainless steel spokes. 26" x 1" High Performance Clincher Tire/Tube 100psi

Carbon Wheel Upgrades – Threaded axle only

1. 26" (571) Tri Spoke Carbon Fiber wheels are available w/tubular tires or clincher. Rims are aluminum. Wheels not legal for use in IPC sanctioned road races.

2. 26" Spinergy® Tiliium Wheels w/Carbon, aluminum rims and white spokes, Clincher tires only.

3. 26" Zipp® 404 Wheels w/Carbon/Graphite composite rim and stainless ovalized spokes.

4. 26" Zipp® Time Trial Package: Zipp® 404 Front Wheel, Zipp® Disc Rear Wheels. (Zipp® Disc wheels not legal for use in mass start races. Time trial only.)

Upholstery – Black nylon upholstery with 2" seat and back cushion standard. Seat restraint included.

Warranty – 3 year on frame and fork to original owner/limited parts warranty.

Assembly – Shipped completely assembled except for rear wheels. Shipping weight is 65 – 70 lbs.

Options – See front of form or call for details and photos

Frame – Ovalized 6061-T6 aluminum aircraft tubing with internal skeletal structure for increased stiffness.

Removable Fork – 6061-T6 aluminum, super stiff with adjustable crank housing.

Frame Design – Recumbent 3 piece centerline frame construction with welded seat and adjustable back angle.

Wheelbase – 60" Standard, 57" available (not recommended for users taller than 5'8"). Overall Length 86"

Turning Radius – 18 feet for 360° circle, 12 feet w/one backing maneuver.

Static Tip Angle - 39° for 250 lb subject.

Transfer Seat Height – 8" with 2" cushion.

Backrest – Adjustable fore and aft.

Back Angle – Adjustable angle back of 35° - 55°.

Propulsion System – Features a combination of Shimano and Top End components, 27 speed, 48-40-28 chain rings and 11/32 cassette as standard. The 11/32 cassette is operated by the Hands-On Rapid Fire unit which is mounted on the right (standard) handpedal. It operates both the 11/32 cassette and the hands-on brake. The manual derailleur operates the top chainrings utilizing a manual system which eliminates cables and their maintenance. A parking brake/second brake is mounted on the left side of frame.

Crankset – Top End V crankset with integral pedal bearings are standard. To choose the width for the crank, consider the end user's shoulder width. The width is measured horizontally center to center to the point at the middle of the handpedal. Length of crankset depends on the length of the arms. The length is measured perpendicular from the center of the crank to the center of the handpedal spindle. Most people choose 190mm long and 20" wide.

Steering – Pivot steering and raked fork for controlled turning and stability.

Crank – Adjustable height

Invacare Corporation www.invacare.com

TOP END
Sports and Recreation
Products
4501 63rd Circle North
Pinellas Park, FL USA
33781-5914

All rights reserved. Trademarks are identified by the symbols ™ and ®. All trademarks are owned by or licensed to Invacare Corporation unless otherwise noted. Shimano and Rapid Fire are registered trademarks of Shimano Inc. Spinergy is a registered trademark for Spinergy Corp. Zipp is a registered trademark of Composittech, Inc. Cane Creek is a registered trademark of Cane Creek Cycling Components. SRM is a registered trademark of SRM Service Center Inc. USA SRAM is a registered trademark of SRAM Corp.
©2008 Invacare Corporation

