

Invacare® Top End® Force-3™ Handcycle

Price List and Order Form

Effective June 15, 2014 Revised July 1, 2014



For accuracy of ordering, please fax order to Top End at 727-522-1007 or e-mail to TopEndOrders@invacare.com
 For questions call 800-532-8677 or 727-522-8677.
 To order Literature: 800-828-6282

www.topendwheelchair.com

Provider Name _____ Date _____ Top End Job Number _____
 Account # _____ P.O. # _____ Phone # _____ Fax # _____
 Address _____ City _____ State _____ Zip Code _____
 Customer Name _____ Phone No _____
 Address _____ City _____ State _____ Zip Code _____

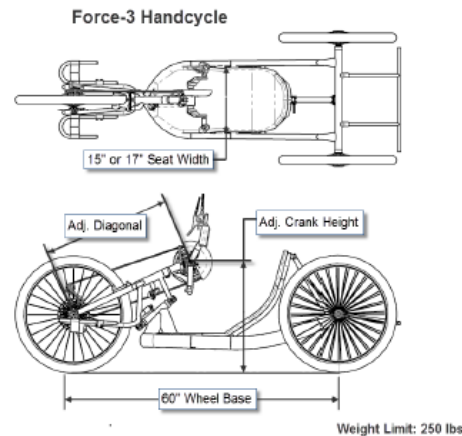
Ship order to: Provider Customer

Order will ship to Provider unless otherwise noted.

TOP END FORCE-3 HANDCYCLE

FRC3 Top End Force-3 27 Speed Handcycle.....\$2995.00

1. Seat Width: (Select One)
 - 15" Stealth Black
 - 17" Stealth Black
2. Wheel base: 60" **Standard**
3. Components:
 - Shimano® Deore Rapid-fire® Brake/Shifter **Standard**
4. Mounting Position: Shifter / Brake Lever
 - Right Handle **Standard**
 - XLT76** Left hand pedal with post 75.00
5. **Braking System:** (Includes Disk Brake and Parking Brake)
 - Front Disk Brake **Standard**
 - Parking Brake: Cable driven Caliper Brake **Standard**
6. **Front Wheel Cassette:** 11-34 **Standard**
7. **Chain ring:** 48-36-26 **Standard**
8. **Handpedal Size / Crankset:**
 - Handpedal Size: Medium (1¾") **Standard**
 - Crank arms: 170mm length **Standard**
 - Handpedal width: 18.5" measured center to center **Standard**
 - XLT106** V Crank upgrade: 180mm x 20" 500.00
 - Chainring: 48-39-24
9. **Crank:**
 - Diagonal and Vertical Height Adjustment: **Standard**
10. **Camber:** 0 degree **Standard**
11. **Wheels:** (Threaded Axle Only)
 - 26-559 High performance wheels **Standard**
 - High pressure Cruiser clincher tires **Standard**
12. **Backrest:** Recline position style **Standard**
 - XLT105*** Straight back style/trunk power position 350.00
 - XLT 96*** BionX® Power Boost upgrade available on XLT105/
Straight back (Factory installation/ Race 44 is required)... 2000.00
 - RACE 44*** Factory assembly of frame and front fork, back support
bar, footrests, chain guard and safety flag clamp. 100.00



SAFETY & COMFORT OPTIONS

NOTE: All non-standard options require self- installation.
Additional freight charges may apply.

- Seat and Back Cushions **Standard**
- Chain Guard **Standard**
- Safety Flag **Standard**
- Drafting Bumper **Standard**
- Crank width adaptor set **Standard**
- XLT104** Seat cushion: 1" thick 100.00
- XLT71** Tool and Tire Repair Kit 90.00
- XLT12** Mirror, Leg Rest Mount..... 30.00
- XLT13** Water Bottle & Cage 35.00
- XLT28** Backpack Hydration System..... 100.00
- XLT141** Heart Rate Monitor..... 100.00
- XLT14** Cordless computer 125.00
- XLT15*** Helmet: select size 75.00
 - Small/ Medium Medium/Large
- XLT16** Extra Safety Flag 30.00
- XLT6** Front Safety Light 25.00
- XLT7** Rear Flashing Light 25.00
- XLT 33*** Alignment Gauge..... 75.00
- XLT20*** Bike Rack for Trailer Hitch 450.00
 - 1 1/4" (Std.) 2"
- XLT40** Cable Kit 35.00
- XLT74** Extra Steering Dampener..... 10.00
- TER126** Click Strap Large (pad length~12")..... 86.00
- TER125** Click Strap Med (padlength~10")..... 80.00
- TER124** Click Strap Small (padlength~8")..... 75.00
- RACE22*** Top End T-Shirt L XL 10.00
- RACE13*** Top End Bike Jersey L XL 70.00
- XLT42*** Indoor Stationary Trainer 250.00
- Freight*** XLT20,15,33,42 and 105..... \$ _____

* Indicates item where the standard discount does not apply and/or there are additional shipping charges. Please request a quote.

Invacare® Top End® Force-3™ Handcycle

Frame – Ovalized 7000 series aluminum.

Removable Fork – 7000 series aluminum with adjustable crank housing.

Frame Design – Wrap-around ovalized lower frame with adjustable tension seat upholstery and adjustable backrest.

Wheelbase – 60" Standard, Overall Length is 84"

Turning Radius – 18 feet for 360° circle, 12 feet w/one backing maneuver.

Static Tip Angle – 39° for 250 lb. subject.

Transfer Seat Height – 9" with 2" cushion.

Ground Clearance – 5"

Backrest – Adjustable fore and aft. Standard backrest is recline position style which is primarily arm powered. An additional straight backrest with cushion for a trunk power position is available as a self-install option.

Back Angle – Recline position back has an adjustable angle of 35-65°. Straight back style/trunk power position has an adjustable back angle of 55-85° measured with floor=0 degrees.

Propulsion System – Shimano components 27 speeds, 48-36-26 chain rings and 11/34 cassette are standard. The 11/34 cassette is operated by the Hands-On Rapid Fire unit which is mounted on the right hand pedal. To switch to left hand pedal shifting a new Left handpedal with a shifter post can be ordered as an option. It operates both the 11/34 cassette and the hands-on brake. The top chain rings utilizes a cable driven shifter located on upper crank which minimizes cables and their maintenance.

Power Add-on Upgrade: BionX® Power Boost adds 25.50, 75 or 100% power assist. Only available with XLT105/Straight back. Factory installation/ Race 44 is required, extra shipping charges may apply.

Brakes – SRAM Avid front disk brake is standard with brake lever mounted with shifter on right handpedal. A cable driven Tektro caliper parking brake/second brake is mounted on the upper fork.

Crank Set – Traditional crank style Shimano Octalink 170mm crank set is standard. Handpedal width is 18.5" measured center to center of pedals with the crank width adapter set which is standard. The crank width adapter set adds 1.5" per side.

V crank upgrade- V cranks 180mm x 20" wide are available for athletes that need maximum clearance. The price includes installation on the crank support. Chainrings are 48-39-24.

Steering – Pivot steering and raked fork for controlled turning and stability.

Crank – Adjustable height both vertical and diagonal.

Hand Pedals – Hand pedals are made of lightweight aluminum and are ovalized to precisely fit the hand. There is a post welded on the right handpedal for the shifter. To switch to left hand pedal shifting a new Left handpedal with a shifter post can be ordered as an option.

Footrest – Multi-adjustable fore and aft w/straps to securely cradle calves and feet. Straps are 4" wide and feature safety straps for ankles.

Performance Wheels/Tires – Alex silver spoked 26-559 wheels with threaded axles and alloy rims. 14 gauge stainless steel spokes. 26-559 x 1.25" High Performance Clincher Cruiser Tire/Tube 65 psi is standard. There are many knobby and cruiser tire options available because 26-559 is a common bicycle tire size.

Upholstery – Black nylon upholstery with 2" seat and back cushion standard. Seat cushion is 2" thick, 17" deep and either 15" or 17" wide. Seat restraint included. For customers who require maximum leg clearance an optional 1" thick (1/2" firm and 1/2" soft) ballistic nylon cushion is available. For tall customers who ride with backrest in the fully extended position a 19" deep (2" longer) seat cushion can be ordered as an aftermarket part.

Warranty – 2 year on frame and fork to original owner/limited parts warranty.

Weight Limit: 250 pounds

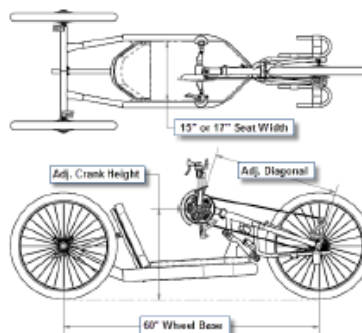
Shipping weight and freight charges: Shipping weight is approximately 55 pounds. Box size is 53" x 20" x 24". Freight charge to ship within the continental USA is \$100 to a business address and \$155 to a residential address. BionX Power Boost option adds 26 lbs.

Non-standard options noted with * will be shipped separately and charges will depend on size of options ordered. Range will be from \$15 to \$25, with a \$25 charge for each large item such as the wheel bag, handcycle travel bag, training roller or bike rack.

Options – See front of form and go to www.topendwheelchair.com for detailed photos.

Cable kit includes one brake and one shifter cable.

Tool bag includes 22 tools in 1, a unique 3 piece design plus tire patch kit, CO2 tire inflators; tire changing tools and zippered tool bag.



Optional Straight back style/trunk power position diagram

Invacare Corporation www.invacare.com

TOP END
Sports and Recreation
Products
4501 63rd Circle North
Pinellas Park, FL USA
33781-5914

All rights reserved. Trademarks are identified by the symbols ™ and ®. All trademarks are owned by or licensed to Invacare Corporation unless otherwise noted. Shimano and Rapid Fire are registered trademarks of Shimano Inc. BionX is a registered trademark of BionX International Corporation.
©2014 Invacare Corporation

