

Top End® Schulte 7000 Series BB Chair

Price List and Order Form

Effective September 30, 2011 Revised January 1, 2014

For accuracy of ordering, please fax order to Top End at 727-522-1007 or e-mail to TopEndOrders@invacare.com

For questions call 800-532-8677 or 727-522-8677.

To order Literature: 800-828-6282

www.topendwheelchair.com



Provider Name _____ Date _____ Top End Job Number _____
 Account # _____ P.O. # _____ Phone # _____ Fax # _____
 Address _____ City _____ State _____ Zip Code _____
 Customer Name _____ Email _____ Phone No _____
 Address _____ City _____ State _____ Zip Code _____

Ship order to: Provider Customer

Order will ship to Provider unless otherwise noted.

- PS7 Top End Schulte 7000 Series BB Chair..... \$2,695.00
- TER61 Heavy Duty Option (weight limit 350lbs) 500.00
- RACE101 CAD Drawings 125.00

E-mail address required _____

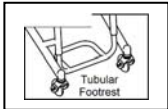
1. SEAT WIDTH 12" 12.5" 13" 13.5" 14" 14.5" 15" 15.5"
16" 16.5" 17" 17.5" 18" 18.5" 19" 19.5" 20" 20.5" 21"
 TER1 Tapered seat width (maximum difference=4")..... 125.00
 Rear Seat Width: _____ Front Seat Width: _____

2. SEAT DEPTH (Upholstery): 12" 13" 14" 15" 16" 17" 18" 19"

3. EXTRA FRAME DEPTH: Standard = 0": 1" 1 1/2" 2"

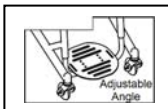
4. FOOTREST OPTIONS: (CHOOSE ONLY ONE FOOTREST)

- Standard: Tubular Footrest (adjustable height)



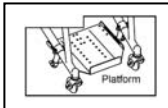
- Footrest Width: _____ Standard = Seat Width minus (-) 6"
 Footrest Height: (Top) to Floor: _____ Range: 1.0" - 5.5"
 Front Frame Angle: 80° 85° (Std) 90° 100°
 TER10 Plastic footrest cover 75.00
 TER89 Carbon fiber footrest cover 125.00
 TER124 Click Strap upgrade 75.00

- TER86 Adjustable Angle Footplate (adj ht. and angle).... 125.00



- Footrest Width: _____ Standard = Seat Width minus (-) 6"
 Footrest Height: (Top) to Floor: _____ Range: 1.0" - 5.5"
 with risers 2" 4" (for desired Footrest Heights over 5.5")
 Front Frame Angle: 80° 85° (Std) 90° 100°
 TER124 Click Strap upgrade 75.00

- TER187 Platform Footrest 200.00



- (Adjustable Height, Forward/Rearward, and Angle)
 Platform Plate -or- Oval Plate
 TER124 Click Strap upgrade 75.00

5. SEAT HEIGHT FRONT: 14.5" 15" 15.5" 16" 16.5" 17"
17.5" 18" 18.5" 19" 19.5" 20" 20.5" 20-7/8" (53cm)

6. SEAT HEIGHT REAR: 14.5" 15" 15.5" 16" 16.5" 17"
17.5" 18" 18.5" 19" 19.5" 20" 20.5" 20-7/8" (53cm)

- TER31 Solid Seat w/ welded rigidizer bars for aluminum..... 175.00

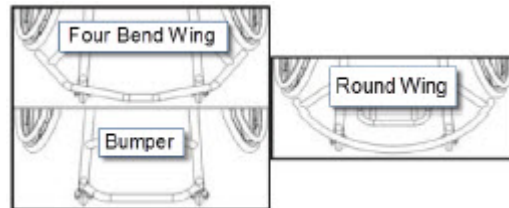
7. CENTER OF GRAVITY: "AXLE POSITION" (choose fixed or adj.):
 Fixed Center of Gravity: 3" 3.5" 4" 4.5" 5" 5.5" 6" Other _____
 (available with all Side Guard options)

Adjustable Center of Gravity Range: 2" to 4" 3" to 5" (Std.) 4" to 6"
 (in-compatible and not available with Side Guards: TER20, TER83, TER130)
 (Adj Center of Gravity Backrest is made of 6061 Aluminum and is bolted to the frame)

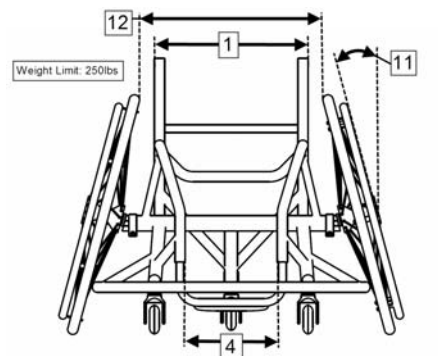
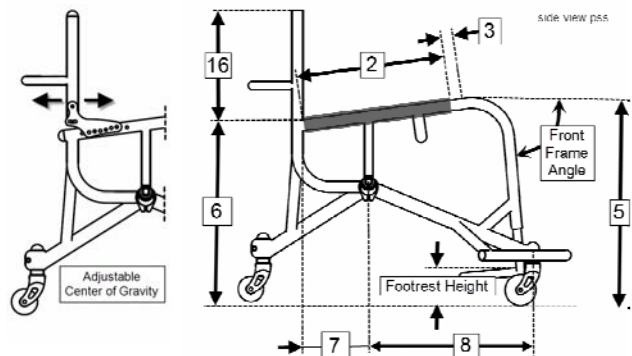
8. WHEEL BASE: 15" 16" 17" 18" 19" Other _____

9. WING STYLE:

- Four Bend Standard
 Bumper No charge
 TER200 Round Wing 100.00



10. ANTI-TIP/5TH WHEEL: Standard: Fixed Single Anti-tip (Swivel)
 TER115 Double Anti-tip fixed (swivel), aluminum..... 120.00



Top End® Schulte 7000 Aluminum BB Chair

11. CAMBER: 12° 15° 18° 20° (no other camber available)

12. TIRE-TO-TIRE DISTANCE (measured at inside, top of tire):
 Standard (i.e. Seat Width + 2.5" = _____) Custom _____

13. WHEEL TYPE: Build for: Standard or Spinerger

14. Rear Wheel Size: 24"(540) 25"(559) 26"(590) 700C

15. WHEELS:

Sun® High Performance Wheels Standard

TER131 Spinerger SLX (4mm) upgrade (24 spokes) 895.00
 Spoke color: (choose one)
 Black Yellow White Blue Red

TER143 Sun® Equalizer Sport Wheel Upgrade
 (48 spoke, cross lacing pattern with 12 tab pushrims for 25", 26" and 700C)
 (36 spoke, cross lacing pattern with 6 tab pushrim for 24") 250.00

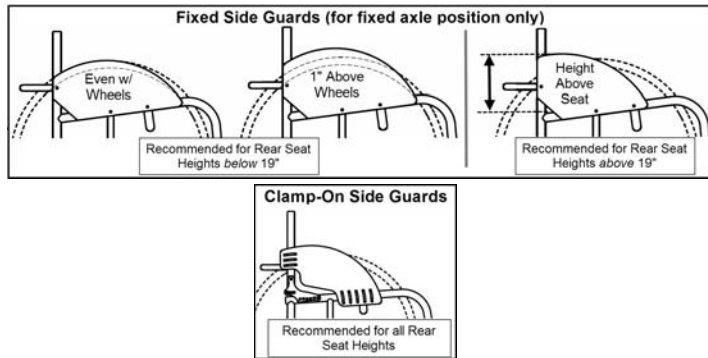
TER21 Spoke Guards: Black or Clear 75.00
 TER101 Kenda® Tires: Red or Yellow 75.00
 TER76 Titanium axles 150.00

16. PUSHRIM UPGRADES, (Standard = hard anodized aluminum)

Std. mount Standard
 Close mount NC
 TER40 Cut Tabs Aluminum pushrim 40.00
 TERTi40 Cut Tabs Titanium pushrim 80.00
 TER129 12-Tab upgrade (Spinerger only, no 24") 150.00
 TER75 Titanium pushrims upgrade (no 700c or 12 tab) 600.00

17. BACK HEIGHT (choose fixed or adjustable):

Fixed Height: 8" 8.5" 9" 9.5" 10" 10.5" 11" 11.5"
 12" 12.5" 13" 13.5" 14" 14.5" 15" 15.5"
 Adjustable Height Range:
 Short 9" to 11" Low 11" to 14" Med 14" to 18"



18. SIDE GUARDS:

TER95 Clamp-On Fixed aluminum side guards 125.00
 TER20 Fixed aluminum side guards 175.00
 Even w/wheels 1" Above wheels Height above seat _____
 (Incompatible with Adjustable Center of Gravity, see item #7)
 TER83 Fixed carbon fiber side guards 250.00
 Even w/wheels 1" Above wheels Height above seat _____
 (Incompatible with Adjustable Center of Gravity, see item #7)
 (Incompatible with TER1 Tapered Seat, see item #1)
 TER130 Welded aluminum tube side guards w/ \$600.00
 welded aluminum panel
 Even w/wheels 1" Above wheels Height above seat _____
 (Incompatible with Adjustable Center of Gravity, see item #7)
 (Standard Distance, inside-to-inside, between welded tubes = Seat Width unless otherwise specified)

SAFETY AND COMFORT OPTIONS:

Calf Strap / Frame protector – rear Standard
 TER14 Cushion, soft 2" 3" 75.00
 TER33 Cushion, hard 2" 3" 4" 125.00
 TER148 Basketball carrying bag \$75.00
 TER149 Back upholstery upgrade: 3" leather flap aluminum plugs \$100.00
 TER37 Frame protectors – front 40.00
 XLT33 Alignment gauge 75.00
 TER126 Click strap large (pad length ~12") 86.00
 TER125 Click strap medium (pad length ~10") 80.00
 TER124 Click strap small (pad length ~8") 75.00
 TER128 Medal O-Ring positioning belt 60.00
 RACE22 Top End T-Shirt, L XL 10.00*

FRAME COLOR AND UPHOLSTERY

UPHOLSTERY Black std UPH1 Woodland Camouflage 100.00
 UPH2 Digital Desert Camouflage 100.00

CONTEMPORARY COLORS

Stealth Black Wet Black White Snow Silver Metallic

WAY COOL COLORS

Royal Blue Midnight Blue Grasshopper Green

TOO HOT COLORS

Tangerine Red Raspberry Red
 Safety Yellow Orange

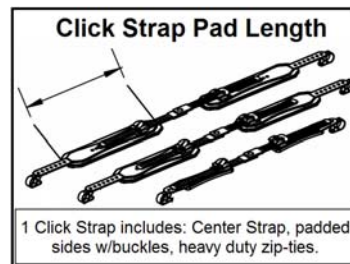
NO PAINT OPTION

Buffed Aluminum (Raw)

Special Instructions: _____

specials pss jan09

*No discount item



Invacare Corporation
 TOP END
 Sports and Recreation Products
 4501 63rd Circle North Pinellas
 Park, FL USA
 33781-5914

www.invacare.com
 All rights reserved. Trademarks are identified by the symbols ™ and ®. All trademarks are owned by or licensed to Invacare Corporation unless otherwise noted.
 Spinerger is a registered trademark of Spinerger, Inc.
 Kenda is a registered trademark of Kenda Rubber Industrial Co. Ltd.
 Specifications and prices are subject to change without notification.
 ©2014 Invacare Corporation