

Top End® T-5™ 7000 Series Tennis Chair

Price List and Order Form

Effective September 30, 2011 Revised January 1, 2014

For accuracy of ordering, please fax order to Top End at 727-522-1007 or e-mail to TopEndOrders@invacare.com

For questions call 800-532-8677 or 727-522-8677.

To order Literature: 800-828-6282

www.topendwheelchair.com



Provider Name _____ Date _____ Top End Job Number _____
 Account # _____ P.O. # _____ Phone # _____ Fax # _____
 Address _____ City _____ State _____ Zip Code _____
 Customer Name _____ Email _____ Phone No _____
 Address _____ City _____ State _____ Zip Code _____

Ship order to: Provider Customer

Order will ship to Provider unless otherwise noted.

- T57 Top End T-5 7000 Series Tennis Chair \$2,625.00
- TER61 Heavy Duty Option (weight limit 350lbs) 500.00
- RACE101 CAD Drawings 125.00

E-mail address required _____

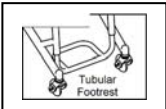
1. SEAT WIDTH 12" 12.5" 13" 13.5" 14" 14.5" 15" 15.5" 16" 16.5" 17" 17.5" 18" 18.5" 19" 19.5" 20" 20.5" 21"
- TER1 Tapered seat width (maximum difference=4") 125.00
- Rear Seat Width: _____ Front Seat Width: _____

2. SEAT DEPTH (Upholstery): 12" 13" 14" 15" 16" 17" 18" 19"

3. EXTRA FRAME DEPTH: Standard = 0": 1" 1½" 2"

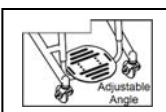
4. FOOTREST OPTIONS: (CHOOSE ONLY ONE FOOTREST)

- Standard: Tubular Footrest (adjustable height)



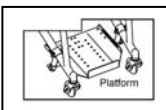
- Footrest Width: _____ Standard = Seat Width minus (-) 6"
 Footrest Height: (Top) to Floor: _____ Range: 1.0" - 5.5"
 Front Frame Angle: 80° 85° (Std) 90° 100°
 TER10 Plastic footrest cover 75.00
 TER89 Carbon fiber footrest cover 125.00
 TER124 Click Strap upgrade 75.00

- TER86 Adjustable Angle Footplate (adj ht. and angle) 125.00



- Footrest Width: _____ Standard = Seat Width minus (-) 6"
 Footrest Height: (Top) to Floor: _____ Range: 1.0" - 5.5"
 with risers 2" 4" (for desired Footrest Heights over 5.5")
 Front Frame Angle: 80° 85° (Std) 90° 100°
 TER124 Click Strap upgrade 75.00
 TER127 Toe Clips 60.00

- TER187 Platform Footrest 200.00



- (Adjustable Height, Forward/Rearward, and Angle)
 Platform Plate -or- Oval Plate
 TER124 Click Strap upgrade 75.00

5. SEAT HEIGHT FRONT: 14.5" 15" 15.5" 16" 16.5" 17" 17.5" 18" 18.5" 19" 19.5" 20" 20.5" 21"

6. SEAT HEIGHT REAR: 14.5" 15" 15.5" 16" 16.5" 17" 17.5" 18" 18.5" 19" 19.5" 20" 20.5" 21"

- TER31 Solid Seat w/ welded rigidizer bars for aluminum 175.00

7. CENTER OF GRAVITY: "AXLE POSITION" (choose fixed or adj.):
 Fixed Center of Gravity: 3" 3.5" 4" 4.5" 5" 5.5" 6" Other _____
 (available with all Side Guard options)
 Adjustable Center of Gravity Range: 2" to 4" 3" to 5" (Std.) 4" to 6"
 (in-compatible and not available with Side Guards: TER20, TER83, TER130)
 (Adj Center of Gravity Backrest is made of 6061 Aluminum and is bolted to the frame)

8. WHEEL BASE: 15" 16" 17" 18" 19" Other _____

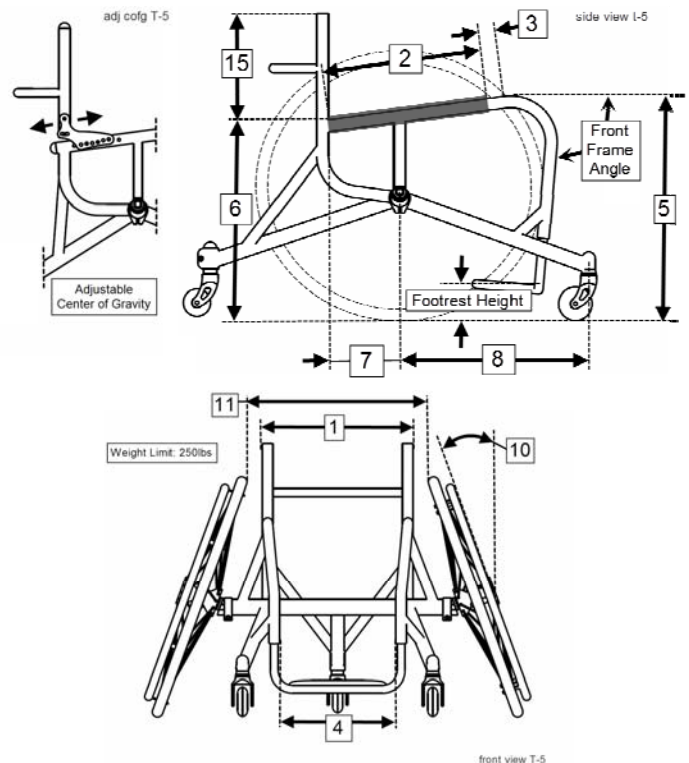
9. ANTI-TIP/5TH WHEEL: Choose one: Fixed or Omit
 TER102 Telescoping 200.00

10. CAMBER: 12° 15° 18° 20° (no other camber available)

11. TIRE-TO-TIRE DISTANCE (measured at inside, top of tire):
 Standard (i.e. Seat Width + 2.5" = 17.5") Custom _____

12. WHEEL TYPE: Build for: Standard or Spinergy

13. WHEEL SIZE: 24"(540) 25"(559) 26"(590) 700C



Top End® T-5™ Tennis Elite Chair

14. WHEELS:

- Sun® High Performance Wheels Standard
- TER131 Spinergy SLX (4mm) upgrade (24 spokes) 895.00
Spoke color: (choose one)
 Black Yellow White Blue Red
- TER143 Sun® Equalizer Sport Wheel Upgrade
(48 spoke, cross lacing pattern with 12 tab pushrims for 25", 26" & 700C)
(36 spoke, cross lacing pattern with 6 tab pushrim for 24") 250.00
- TER101 Kenda® Tires: Red or Yellow 75.00
- TER76 Titanium axles 150.00

15. PUSHRIM UPGRADES, (Standard = hard anodized aluminum)

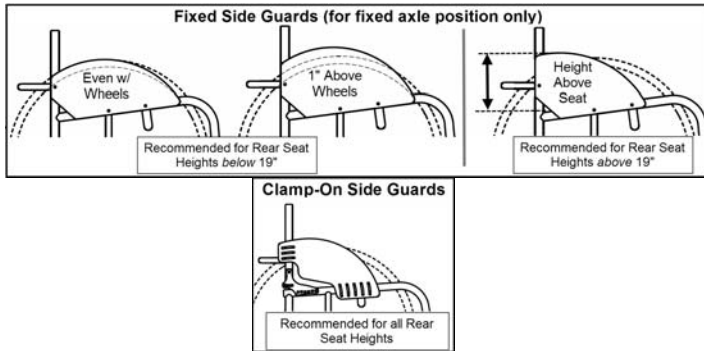
- Std. mount Standard
- Close mount NC
- TER40 Cut Tabs Aluminum pushrim 40.00
- TERT140 Cut Tabs Titanium pushrim 80.00
- TER75 Titanium pushrims upgrade 600.00
- TER08 Coated Pushrims 100.00

16. BACK HEIGHT (choose fixed or adjustable):

Fixed Height: 8" 8.5" 9" 9.5" 10" 10.5" 11" 11.5"
 12" 12.5" 13" 13.5" 14" 14.5" 15" 15.5"

Adjustable Height Range:

Short 9" to 11" Low 11" to 14" Med 14" to 18"



17. SIDE GUARDS:

- TER95 Clamp-On Fixed aluminum side guards 125.00
- TER20 Fixed aluminum side guards 175.00
 Even w/wheels 1" Above wheels Height above seat _____
(Incompatible with Adjustable Center of Gravity, see item #7)
- TER83 Fixed carbon fiber side guards 250.00
 Even w/wheels 1" Above wheels Height above seat _____
(Incompatible with Adjustable Center of Gravity, see item #7)
(Incompatible with TERI Tapered Seat, see item #1)
- TER130 Welded aluminum tube side guards
w/ welded aluminum panel \$600.00
 Even w/wheels 1" Above wheels Height above seat _____
(Incompatible with Adjustable Center of Gravity, see item #7)
(Standard Distance, inside-to-inside, between welded tubes = Seat Width, unless otherwise specified)

SAFETY AND COMFORT OPTIONS:

- TER14 Cushion, soft 2" 3" 75.00
- TER149 Back upholstery upgrade: 3" leather flap aluminum plugs \$100.00
- TER37 Frame protectors – front 40.00
- TER35 Frame protector – rear 20.00
- XLT33 Alignment gauge 75.00
- TER126 Click strap large (pad length ~12") 86.00
- TER125 Click strap medium (pad length ~10") 80.00
- TER124 Click strap small (pad length ~8") 75.00
- TER128 Medal O-Ring positioning belt 60.00
- RACE22 Top End T-Shirt, L XL 10.00*

FRAME COLOR AND UPHOLSTERY

- UPHOLSTERY Black std UPH1 Woodland Camouflage 100.00
 UPH2 Digital Desert Camouflage 100.00

CONTEMPORARY COLORS

- Stealth Black Wet Black White Snow Silver Metallic

WAY COOL COLORS

- Royal Blue Midnight Blue Grasshopper Green

TOO HOT COLORS

- Tangerine Red Raspberry Red Grape Madness
 Safety Yellow Orange Bubblegum Pink

NO PAINT OPTION

- Buffed Aluminum (Raw)

Special Instructions: _____

specials pss jan09

* No discount item.



Invacare Corporation
TOP END
Sports and Recreation Products
4501 63rd Circle North
Pinellas Park, FL USA
33781-5914

www.invacare.com

All rights reserved. Trademarks are identified by the symbols ™ and ®. All trademarks are owned by or licensed to Invacare Corporation unless otherwise noted.

Spinergy is a registered trademark of Spinergy, Inc. Sun is a registered trademark of Sun Components Inc.

Kenda is a registered trademark of Kenda Rubber Industrial Co. Ltd.

Specifications and prices are subject to change without notification.

©2014 Invacare Corporation

Form No. 11-162

Page 2 of 2 01.14