

Top End® Crossfire Titanium Ultra Lightweight Active Performance Rigid Wheelchair



Price List and Order Form

Effective July 15, 2006 Revised January 1, 2010

For accuracy of ordering, please fax order to Invacare Customer Service 800-678-4682

For questions call 800-333-6900. To order Literature: 800-828-6282

www.topendwheelchair.com

Provider Name _____ Date _____ Top End Job Number _____
 Account # _____ P.O. # _____ Phone # _____ Fax # _____
 Address _____ City _____ State _____ Zip Code _____
 Customer Name _____ Phone No _____
 Address _____ City _____ State _____ Zip Code _____

Ship order to: Provider Customer

Order will ship to Provider unless otherwise noted.

Special Note

HCPCS codes are not intended to be, nor should be considered billing or legal advice. Providers are responsible for determining the appropriate billing codes when submitting claims to the Medicare Program and should consult an attorney or other advisor to discuss specific situations in further detail.

FRAME TYPE:

- CRFTI Top End Crossfire Titanium (K0009) 3,114.00 ¹
 (E1229 for seat width and depths less than 15")

FRONT FRAME MODIFICATONS: (CHOOSE ONE)

- TFE Tapered Front End No Charge ²
 CRF2 Non Tapered "V" Front End 200.00 ³
 CRF1 Tapered Seat Width 150.00 ⁴

TAPER DIFFERENCE REAR TO FRONT (SELECT ONE)

- CRFDRF1(-1") CRFDRF2(-2")
 CRFDRF3(-3") CRFDRF4(-4")

FORK OPTIONS:

- CRF59 Frog Legs® Suspension Forks (E1015) 375.00 ⁵
 FLOSF Frog Legs @ One Sided Forks 150.00 ⁶

SEAT WIDTH:

- W12 W13 W14 W15 W16 W17 W18
 CRF105 W19 100.00
 CRF105 W20 (E2201) 100.00

SEAT DEPTH:

- D14 D15 D16 D17 D18 No Charge
 CRF106 D19 100.00
 CRF106 D20 (E2203) 100.00

FRONT SEAT-TO-FLOOR HEIGHT: ²

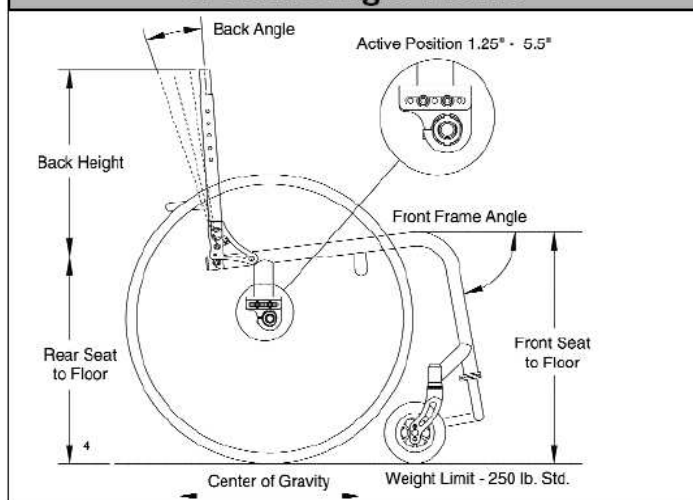
- FSTF 16" 16.5" 17" 17.5" 18" 18.5"
 19" 19.5" 20" 20.5" 21"

Knee-to-Heel Range			
Front Seat-to-Floor			
17"	12.25" – 16.25"	20"	15.25" – 19.25"
18"	13.25" – 17.25"	21"	16.25" – 20.25"
19"	14.25" – 18.25"		

FOOTNOTES

- ¹ Crossfire Titanium built of 1 1/8" Grade 9 titanium.
² Tapered front end not available with front seat heights of 16" or 17".
³ Not available w/tapered seat width or tubular footrest.
⁴ Tapered seat width tapers rear to front up to a maximum difference of 4". The front seat width measures the same as the outside of the footrest or straight so there is no tapered or V front end. Foot space widths is 2.25" less than front frame width. Not available with Ergo seat or widths of 12" or 13".
⁵ Front suspension forks not available with 85 or 90° front frame angle, one-sided front forks or seat depths less than 16".
⁶ Black anodized color only.

Crossfire Rigid Frame



REAR SEAT-TO-FLOOR HEIGHT: ⁷

- RSTF 14" 14.5" 15" 15.5" 16" 16.5" 17" 17.5"
 18" 18.5" 19" 19.5" 20" 20.5" 21"

ERGO SEAT OPTION

- CRF104 Ergo Seat w/Tapered Front End 250.00 ⁸
 CRF110 Ergo Seat w/V Style Front End 350.00 ⁸

FRONT FRAME ANGLE:

- FFA70 FFA75 FFA80 FFA85 FFA90

CENTER OF GRAVITY: (CHOOSE ONE)

- CRF111 Active Position 1.25" – 5.5" No Charge ⁹
 CRF113 Extended Position -2.25" – 2.0" 175.00 ⁹

FOOTNOTES

- ⁷ 14" is the lowest rear seat height for 22" wheels, 14.5" for 24" wheels with std. tires, 15" for 25" wheels with std. tires or 24" wheels with knobby tires, 15.5" for
⁸ Not available with tapered seat width. 14" is the lowest rear seat height for tires or 24" wheels with knobby tires, 16" for 25" wheels with knobby tires or 26" wheels with std. tires. See drawing on page 3 for more detail. Ergo seat should be a minimum of 2" difference between front and rear seat heights.
⁹ Extended position not available with tapered seat width. Measured from the front of the back post to the center of the axle.

Top End® Crossfire Titanium Ultra Lightweight Wheelchair

Accessories and Options

Overall Width by Camber Angle				
Wheel Type	0°	3°	6°	9°
Spoke	6.75"	8"	10"	12.25"

Add the amount above to the seat width to obtain the overall width at its widest point.

CAMBER SYSTEM:

- CRF630 0° Camber Tube with Single Camber **Standard**
- CRF633 3° Camber Tube with Single Camber **No Charge**
- CRF636 6° Camber Tube with Single Camber **No Charge**
- CRF639 9° Camber Tube with Single Camber **No Charge**
- CRF640 0° Extra Camber Tube 150.00
- CRF643 3° Extra Camber Tube 150.00
- CRF646 6° Extra Camber Tube 150.00
- CRF649 9° Extra Camber Tube 150.00

FRONT WHEELS/FORKS:

- CRFF3 3" Micro No Charge
- 3SOFR 3" Aluminum Soft Roll 90.00
- CRF654 4" Semi-Pneumatic No Charge
- CRF655 5" Semi-Pneumatic No Charge
- CRFA654 4" Aluminum Soft Roll (E2219) 90.00
- CRFA655 5" Aluminum Soft Roll (E2219) 90.00
- CRF884 4" Lighted Front Wheels 70.00

Wheel/Tire Chart – Applies to Standard & Spinerge® Wheels				
Tire Choices	22"	24"	25"	26"
Primo: 1" high pressure grey clincher	X	X	X	X
Kenda: 1" high pressure clincher		X	X	X
Schwalbe Black flat resistant		X	X	X
1-3/8" grey treaded	X	X		X
1-3/8" w/ flat free	X	X		
Solid 1" no-flat		X	X	
Knobby: 2" wide grey		X	X	

REAR WHEEL OPTIONS: (SEE WHEEL/TIRE CHART)

- CRF22SP 22" Spoke No Charge
- CRF24HPS 24" Sun® High Performance Spoke No Charge
- CRF25HPS 25" Sun® High Performance Spoke No Charge
- CRF26HPS 26" Sun® High Performance Spoke 200.00
- FN1624 24" Sun Fusion 16 Spoke Wheel 325.00
- FN1625 25" Sun Fusion 16 Spoke Wheel 325.00
- FN1626 26" Sun Fusion 16 Spoke Wheel 325.00
- CRF6722 22" Spinerge Spox Wheels* 695.00
- CRF6724 24" Spinerge Spox Wheels* 695.00
- SPLX24 24" Spinerge LX Wheels*(12 spoke) 895.00
- CRF6725 25" Spinerge Spox Wheels* 695.00
- SPLX25 25" Spinerge LX Wheels*(12 spoke) 895.00
- CRF6726 26" Spinerge Spox Wheels* 695.00

*Spinerge Spoke color (If color is not chosen, spokes will be black)

- SPCY – Yellow SPCBK – Black SPCBW - White
- SPCR -- Red SPCBL – Blue
- CRF27 Quad Release Axles 125.00
- CRF76 Titanium Axles 150.00

TIRE OPTIONS: (SEE WHEEL/TIRE CHART)

- CRFPR Primo High Pressure Tires: Grey No Charge
- CRFPN Pneumatic – 1.38 Treaded: Grey No Charge
- CFR123 Schwalbe 1" Black flat resistant 90.00
- CRF73 Pneumatic w/FF – 22 or 24 x 1 3/8" Tires (K0064) . 125.00
- CRF60 Knobby Tires (K0067): Grey 75.00
- CRF7G Solid No Flat Tires: Grey 75.00
- CRF7BK Solid No Flat Tires: Black 75.00
- CRF101R Kenda® High Pressure Tires: Red 75.00
- CRF101Y Kenda® High Pressure Tires: Yellow 75.00

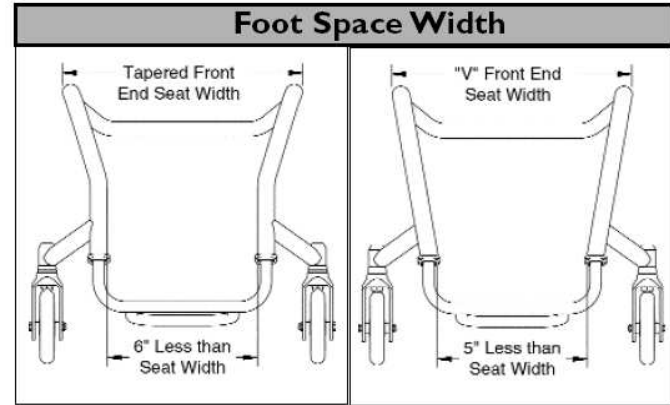
ANODIZING ACCENTS: STD. FORKS AND BACK

ANGLE BRACKET

- ANOBLK Bold Black Standard
- ANOSLV Classic Silver No Charge
- ANOBLU Shadow Blue 50.00
- ANORED Victory Red 50.00

FOOTNOTES

- ¹⁰ Not available with 90° front frame angle.
- ¹⁵ Aluminum casters are 1.4" wide with soft roll tires. For suspension fork option, see page 1.
- ¹⁶ Titanium handrims not available in 22" or 26" wheel size.
- ¹⁷ FN1624 excludes CRF73; FN1625 excludes CRFPN and CRF73; FN1626 excludes CRF73, CRF60, CRF7G, CRF7BK, CRF101R and CRF101Y; CRF6722 excludes CRF123, CRF60, CRF7G, CRF7BK, CRF101R and CRF101Y, CRF6724 and SPLX24 excludes CRF73, CRF6725 and SPLX25 excludes CRFPN and CRF73, CRF6726 excludes CRF73, CRF60, CRF7G, CRF7BK, CRF101R and CRF101Y



FOOT SPACE WIDTH: = standard as per diagram above.
Exception: seat widths of 12", 13", and 14" will have foot space width of 8".

BACK TYPE: ¹⁰

- LKDOWN Lock-Down, Folding Ht/angle Adj. Back Standard¹⁰
- CRF1070 Fixed Back w/ Fixed Angle Welded at 0°, Adj Ht. 200.00¹¹
- CRF1073 Fixed Back w/ Fixed Angle Welded at 3°, Adj Ht. 200.00¹¹
- CRF1076 Fixed Back w/ Fixed Angle Welded at 6°, Adj Ht. 200.00¹¹
- CRF1079 Fixed Back w/ Fixed Angle Welded at 9°, Adj Ht. 200.00¹¹

BACK HEIGHT: (CHOOSE ONE) ^{10,11}

- BH811 – 9" – 11" BH1014 – 10" – 14" BH1216 – 12" – 16"
- BH1418 – 14" – 18" BH1620 – 16" – 20"
- Fixed back height w/o push handles (8" – 16")
- 8" 9" 10" 11" 12" 13" 14" 15" 16"

BACK UPHOLSTERY AND ACCESSORIES:

- CRFBAT Ballistic Nylon Adj. Tnsn Uph w/ Straps & Anchors **Standard**
- MESH Breathable Mesh Adj. Tnsn Uph w/ Anchors No Charge
- CRF16 Fold Over Back Upholstery 100.00¹²
- CRF30 Back Pack 50.00
- CRF82 Push Handles adjustable height bolt-on 200.00¹³
- CRF13 Push Handles non-adjustable bolt-on 75.00
- CRF97 Bolt-through Integral Push Handles 100.00¹²
- CRF90 Welded Integral Push Handles 200.00¹¹

FOOTNOTES

- ¹⁰ Folding or fixed back available. Folding back is manufactured of 1" aluminum tubing and is only available with adjustable height (3/4" tube telescoping in 1" tube).
- ¹¹ Maximum height on fixed back is 16". Fixed back is manufactured in 1" titanium and is available in fixed or adjustable height (7/8" telescoping in 1" tube). Welded integral push handles only available with fixed back height.
- ¹² Integral push handles and camouflage not available with fold-over back upholstery.
- ¹³ Bolted to the back post and have 10" of adjustment up or down. 16" tall. Adjustable height push handles are not compatible with swing-away arms. The non-adjustable push handles (CRF13) or integral style are compatible.

Top End® Crossfire Titanium Ultra Lightweight Wheelchair

Accessories and Options

WHEELS: EXTRA SET FOR OFF ROAD (INCLUDES: WHEELS, TIRES & ALUMINUM PUSHRIMS)

- CRF91 24" Knobby Tires (540)550.00 ¹⁸
- CRF92 25" Knobby Tires (559)550.00 ¹⁸
- CRF93 Extra Set of Axles55.00

MOUNTING HANDRIMS:

- OUT Standard Mount Handrim**Standard**
- IN Close Mount Handrim No Charge

HANDRIM OPTIONS:

- CRF77 Aluminum Anodized Handrims**Standard**
- CRF75 Titanium Handrims600.00 ¹⁹
- CRF8 Coated Handrims (K0059)100.00
- NFSDLT Natural Fit® LT Standard Grip Handrims325.00 ¹⁹
- NFSPLT Natural Fit® LT Standard Grip Handrims370.00 ¹⁹
- CRF99 Natural Fit® Standard Grip Handrims295.00 ¹⁹
- CRF98 Natural Fit® Super Grip Handrims340.00 ¹⁹

FOOTPLATE OPTIONS:

- CRFTFR 1 Piece Tubular Footrest No Charge ²⁰
- CRF1FP Adjustable Angle One Piece Footplate (K0040) ..No Charge ²¹
- CRF191 Adjustable Angle Footrest with 2" Risers95.00

FOOTREST/LEGREST ACCESSORIES:

- CRF10 Plastic Footrest Cover75.00 ²²
- CRF89 Carbon Fiber Footrest Cover125.00 ²²
- CRF28 Frame Protector Set (2 front, 1 rear)60.00
- CRF103 Luggage Carriers100.00
- CRF133 Calf Strap**Standard**

SEAT ACCESSORIES:

- CRF29 Seat Pouch35.00
- CRF72 Positioning Strap – Hook & Loop (K0978)40.00
- CRF74 Positioning Strap – Auto Style (K0978)50.00

CUSHIONS: ²³

- CRF14 2" Soft Cushion75.00

SEAT UPHOLSTERY:

- CRFATS Adj Tension Seat w/ Straps & Anchor Loop...**Standard** ²⁴
- CRFTi112 Screw-on Seat Upholstery300.00 ²⁴

ARM TYPE

- CRF78 Swingaway Arms175.00 ²⁵

ARM ACCESSORIES

- CRF121 Fold-in Style Black Aluminum Side Guards125.00 ²⁶

FOOTNOTES

- ¹⁸ 24" knobby match up with 25" daily use wheels with primo tires and
25" knobby match up best with 26". Extra set includes standard wheels, anodized
pushrims and knobby tires.
- ¹⁹ Not available with 22" wheel size.
- ²⁰ One piece tubular footrest does not have a cover.
- ²¹ Adjustable angle one-piece footplate is standard for frames with V style front end.
- ²² Tubular footrest only.
- ²³ Cushions are filled with 2" soft foam which offer minimum protection. If a therapeutic
cushion is needed please order from Invacare Customer Service 1-800-333-6900.
- ²⁴ Screw-on seat upholstery not available w/tapered seat width.
- ²⁵ Adjustable in 1" increments from 10.5" to 12.5" (top of seat rail to top of armrest).
Adjustable height push handles are not compatible with swingaway arms. The non-
adjustable push handles (CRF13) or integral style will work.
- ²⁶ Fold-in Style SG: Fold-in style flip back for easier transfers and are adjustable in height.
Compatible with both high (push or pull to lock) or undermount (scissor) wheel locks.
Not available with adjustable height push handles if back height is 10-14" or less.

- CRF5G Fold-in Style Carbon Fiber Side Guards325.00 ²⁷
- CRF79 Removable Side Guards/Fender175.00
- CRF18 Removable Side Guards125.00
 6" tall (sm) 7.5" tall (lg)
- CRF20E Fixed Aluminum Side Guards Even w/wheels175.00 ²⁸
- CRF20I Fixed Aluminum Side Guards 1" above wheels ..175.00 ²⁸
- CRF83E Fixed Carbon Fiber Side Guards Even w/wheels...250.00 ²⁹
- CRF83I Fixed Carbon Fiber Side Guards 1" above wheels....250.00 ²⁹

WHEEL LOCKS (CHOOSE ONE)

- CRFPUL Pull to Lock Wheel Locks No Charge
- CRFP5H Push to Lock Wheel Locks No Charge
- CRF109 Hideaway Undermount Wheel Locks65.00 ³⁰
- CRF22 Hill Holders (E0974)150.00
- CRFOWL Omit Wheel Locks No Charge

MISCELLANEOUS ACCESSORIES

- FRMPRBK Chair Armor Black Neoprene Frame Protectors65.00
- FRMPRB Chair Armor Blue Neoprene Frame Protectors65.00
- FRMPRR Chair Armor Red Neoprene Frame Protectors65.00
- FRMPRS Chair Armor Silver Neoprene Frame Protectors65.00
- CRF21C Spoke Protectors: Clear (K0065)75.00
- CRF23 Rear Anti Tippers (E0971)100.00
- CRF26 Crutch Holder125.00
- CRF94 Alignment Gauge75.00
- RACE22 Top End T-Shirt L XL10.00 ³¹

FRAME COLOR AND UPHOLSTERY

- UPHOLSTERY Black std UPHI Camouflage100.00 ³²

FRAME COLOR Bead Blast Finish for Titanium

CONTEMPORARY COLORS

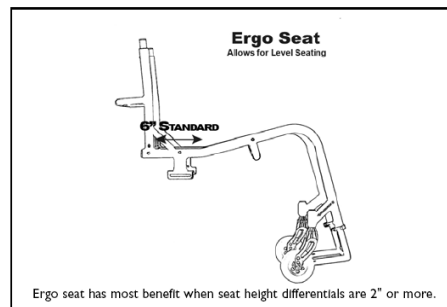
- Wet Black Black Prism White Snow
- Silver Metallic Silver Vein Copper Penny

WAY COOL COLORS

- Electric Blue Midnight Blue Cosmic Blue
- Electric Teal Emerald Green Grasshopper Green

TOO HOT COLORS

- Tangerine Red Electric Red Grape Madness
- Safety Yellow Sunkissed Orange Fruit Fusion



FOOTNOTES

- ²⁷ Fold-in Style SG: Fold-in style flip back for easier transfers and are adjustable in height.
Compatible with both high (push or pull to lock) or undermount (scissor) wheel locks.
- ²⁸ Fixed back only.
- ²⁹ Fixed back only. Not available w/tapered seat width.
- ³⁰ Not available on 14" depth.
- ³¹ Dealer discount does not apply.
- ³² Camouflage upholstery not available for screw-on seat, mesh or fold over back
upholstery. Camouflage upholstery is ballistic nylon adjustable tension with anchors and
straps for the back upholstery. If cushion is ordered it will also be camouflage.

Top End[®] Crossfire Titanium Ultra Lightweight Wheelchair Weight Chart

Section 1

Width & Depth Matrix									
	W12	W13	W14	W15	W16	W17	W18	W19	W20
D12	17.63	17.73	17.83	17.93	18.03	18.13	18.23	18.33	18.43
D13	17.73	17.83	17.93	18.03	18.13	18.23	18.33	18.43	18.53
D14	17.83	17.93	18.03	18.13	18.23	18.33	18.43	18.53	18.63
D15	17.93	18.03	18.13	18.23	18.33	18.43	18.53	18.63	18.73
D16	18.03	18.13	18.23	18.33	18.43	18.53	18.63	18.73	18.83
D17	18.13	18.23	18.33	18.43	18.53	18.63	18.73	18.83	18.93
D18	18.23	18.33	18.43	18.53	18.63	18.73	18.83	18.93	19.03
D19	18.33	18.43	18.53	18.63	18.73	18.83	18.93	19.03	19.13
D20	18.43	18.53	18.63	18.73	18.83	18.93	19.03	19.13	19.23

Standard Chair Includes:
• Tubular footrest without plate
• 4" Semi-pneumatic casters/ forks
• 3° Camber
• 24" High performance wheels
• 24" High pressure tires
• Medium height folding back
• Adjustable tension seat sling
• Adjustable tension back upholstery

Top End Crossfire Component Weights – Section 2

Seating	
Omit adjustable tension seat upholstery	-.85
No cushion	0
2" cushion	+1.10
Screw-on seat upholstery	+.05
Back Type	
Folding	0
Fixed	-.80
Push Handles	
Adjustable height bolt-on	+1.60
Fixed height bolt-on	+1.70
Integral: welded	+.75
Integral: bolt-through	+.75
Back Upholstery	
Adjustable tension w/ straps	0
Fold over	+.09
Omit back upholstery	-.97
Armrests	
Swingaway padded tubular	+2.64
Footrest	
Tubular	0
Adjustable angle one piece footplate	+.60
Plastic footrest cover	+.35
Carbon fiber footrest cover	-.30
Front Casters (pair)	
3" Micro	-.13
3" Softroll	+.19
4" Semi pneumatic	0
5" Semi pneumatic	+.31
4" Aluminum softroll	+.44
5" Aluminum softroll	+.92
4" Lighted	+.22
Frog leg front suspension forks	+.64
Frog Leg one-sided forks	-.05
Wheel Locks	
Push or pull-to-lock	+1.00
Undermount scissor	+1.25
Hill holders/grade aids	+.51

Sideguards	
Fold-in Style carbon fiber	+.95
Fold-in Style black aluminum	+1.45
Removable	+1.45
Removable side guards with fender	+1.94
Fixed aluminum	+1.45
Fixed carbon fiber	+1.00
Rear Tires (pair)	
High pressure, Primo or Kenda	0
Schwalbe	+.75
Pneumatic 1 3/8"	+1.40
Pneumatic Flat Free	+1.45
Knobby	+3.10
Solid No Flat	+2.15
Rear Wheels (pair)	
22" spoke	-.60
24" Sun high performance spoke	0
25" Sun high performance spoke	+.30
26" Sun high performance spoke	+.65
24" Spinergy Spox/Sun Fusion	-.80
24" Spinergy LX	-1.20
25" Spinergy Spox /Sun Fusion	-.60
25" Spinergy LX	-1.00
26" Spinergy Spox/ Sun Fusion	-.25
Handrim	
Aluminum	0
Titanium	+.20
Plastic coated	+1.40
Natural Fit standard or super grip	+1.70
Natural Fit LT	+1.25
Axles	
Standard quick release	0
Titanium quick release	+.17
Quad quick release	+.22
Accessories	
Chair Armor	+.10
Luggage carriers	+.75
Calf strap	+.10
Seat pouch	+.35
Positioning Strap – hook and loop	+.10
Positioning strap – auto style	+.50
Spoke guards – clear	+1.60
Anti-tip bars	+1.63
Crutch holder	+1.45

Total Weight Section 1 _____
Total Weight Section 2 _____

Total Weight _____

Invacare Corporation www.invacare.com



USA
One Invacare Way
Elyria, OH USA
44035-4190
800-333-6900

All rights reserved. Trademarks are identified by the symbols [™] and [®]. All trademarks are owned by or licensed to Invacare Corporation unless otherwise noted. Sun[®] is a registered trademark of Sun Components Inc. Natural Fit is a registered trademark of Three Rivers Holding, LLC. Spinergy[™] is a registered trademark of Spinergy Corp. Schwalbe is a registered trademark of RALF BOHLE GmbH in Reichshof Germany. Frog Legs is a registered trademark of Frog Legs, Inc. Kenda is a registered trademark of Kenda Rubber Industrial Co. Ltd. Specifications and prices are subject to change without notification.
©2009 Invacare Corporation