

# PER4MAX THUNDER

Name: \_\_\_\_\_  
 Address: \_\_\_\_\_  
 City: \_\_\_\_\_  
 State: \_\_\_\_\_ Zip \_\_\_\_\_

Date: \_\_\_\_\_ SO# : \_\_\_\_\_  
 Age: \_\_\_\_\_ Weight (lbs.): \_\_\_\_\_  
 Disability: \_\_\_\_\_  
 Tel #: (     ) \_\_\_\_\_ - \_\_\_\_\_

## FRAME SPECIFICATION

**Model**

THUNDER ..... Retail: \$2295

**1) Seat Width**

- 12"    13"    14"    15"    16"    17"    18"  
 Optional Tapered @ the Knee \_\_\_\_\_" ..... \$85

**2) Seat Depth**

- 12"    13"    14"    15"    16"    17"    18"

2a) Total Length \_\_\_\_\_"    Optional Tapered @ the Knee \_\_\_\_\_"

**3) Front Style (front end)**

- "Y" Std. Style ..... \$N/C  
 "V" Style ..... \$120

**4) Rear Seat Height**

- 14"    15"    16"    17"    18"    Other \_\_\_\_\_"  
 Optional Plastic Seat Plate ..... \$50

**5) Front Seat Height**

- 14"    15"    16"    17"    18"    Other \_\_\_\_\_"

**6) Backrest Height**

- 10"    12"    14"    16"    Other: \_\_\_\_\_"  
 Back Height Adj. : From \_\_\_\_\_" to \_\_\_\_\_" ..... \$60

**7) Back Angle**

- 0°    3°    5°    Other: \_\_\_\_\_° (⊥ Seat or ⊥ Floor)

**8) Foot Width**

- 7"    8"    9"    10"    Other: \_\_\_\_\_"

**9) Lower Leg Length \_\_\_\_\_"** (16", 17", etc.)

**10) Backrest To Center Axle**

- 2"    3"    4"    5"    Other: \_\_\_\_\_"

**11) Center Axle To Caster Housing**

- 15"    16"    17"    18"    Other: \_\_\_\_\_"

**12) Caster Housing To Front Foot Plate**

- 5 3/4" Std.    Other: \_\_\_\_\_"

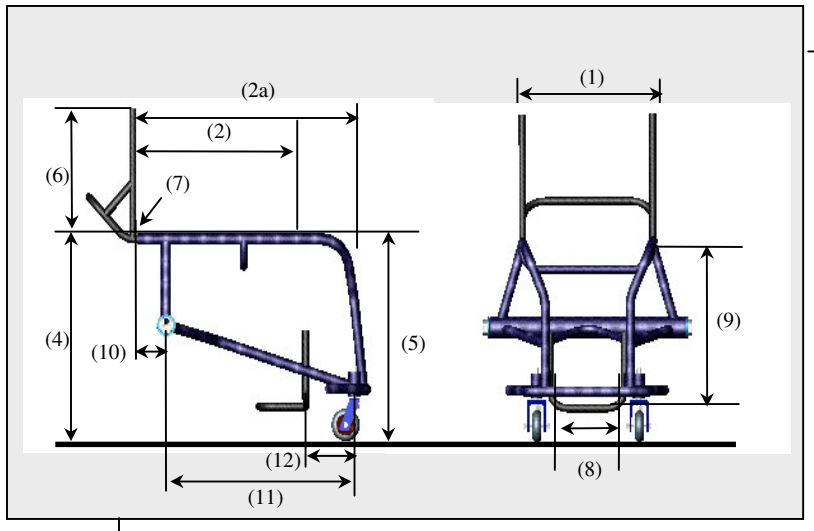
**13) Side Wheel Clearance**

- 1/2"    1"    1 1/2"    2"

**14) Camber Angle**

- 12°    15°    17°    Other: \_\_\_\_\_°  
 Extra: \_\_\_\_\_° (Add \$195)

## Notes:



Effective: January 2004

Pricing and specifications are subject to change without notice

Customer Services: Telephone: 972-641-6773 Facsimile: 972-623-0585	<b>PER4MAX MEDICAL</b> www.per4max.com	2550 114th St. Ste. 190 Grand Prairie, TX 75050
--	---	--

# PER4MAX THUNDER

## FRAME COLORS

Sky White     Bonded Silver     Dormant Violet     Ruby Red     Glossy Black     Safety Yellow  
 Candy Blue     Sparkle Green     Safety Orange  
 Other: \_\_\_\_\_ \$TBD  
 Accessory Colors Standard Glossy Black     Accessory Color Option \_\_\_\_\_ (one color additional: \$90)  
 Backrest     Footrest     Removable 5th Wheel     Side Guards

## WHEELCHAIR OPTIONS

**5th WHEEL**

Rigid ..... \$150  
 Removable ..... \$220

**CLICK STRAP**

Waist Strap Size \_\_\_\_\_" ..... \$100  
 Lap Strap Size \_\_\_\_\_" ..... \$75

**BACK REST**

Rigid ..... \$N/C  
 Continues ..... \$280

**SIDE GUARDS (std. fixed)**

Aluminum ..... \$140  
 Plastic ..... \$100  
      Removable Extra ..... \$75

**CASTERS**

3" (72mm) Micro ..... \$N/C  
 56mm Micro ..... \$60  
 Other ..... \$TBD

**MISCELLANEOUS**

Spoke Guards ..... \$100  
 Foam Impact Guards ..... \$60  
 Extra Footrest ..... \$90  
 Special Upholstery ..... \$180

## WHEELS & TIRES

**WHEELS**

Standard Wheels ..... \$300  
      24"     25"     26"     27"

Spinergy Wheels ..... \$695  
      24"     25"     26"     27"  
      Black     White     Blue     Red     Yellow

**HAND RIMS SYLE**

Hard Anodized 6 tab ..... \$N/C  
 Hard Anodized 12 tab..... \$75  
 Vinyl Coated ..... \$120  
 Other ..... \$TBD

**TIRES**

High Pressure Tires ..... \$N/C  
 Tufo High Press. Tires ..... \$120  
 Other ..... \$TBD

Notes:

Pricing and specifications are subject to change without notice

Customer Services: Telephone: 972-641-6773 Facsimile: 972-623-0585	<b>PER4MAX MEDICAL</b> <i>www.per4max.com</i>	2550 114th St. Ste. 190 Grand Prairie, TX 75050
--	--	--