

# Top End® Pro™ Tennis Wheelchair

## Price List and Order Form

Effective January 15, 2010

For accuracy of ordering, please fax order to Top End at 727-522-1007 or e-mail to TopEndOrders@invacare.com

For questions call 800-532-8677 or 727-522-8677.

To order Literature: 800-828-6282

www.topendwheelchair.com



Provider Name \_\_\_\_\_ Date \_\_\_\_\_ Top End Job Number \_\_\_\_\_  
 Account # \_\_\_\_\_ P.O. # \_\_\_\_\_ Phone # \_\_\_\_\_ Fax # \_\_\_\_\_  
 Address \_\_\_\_\_ City \_\_\_\_\_ State \_\_\_\_\_ Zip Code \_\_\_\_\_  
 Customer Name \_\_\_\_\_ Email \_\_\_\_\_ Phone No \_\_\_\_\_  
 Address \_\_\_\_\_ City \_\_\_\_\_ State \_\_\_\_\_ Zip Code \_\_\_\_\_

Ship order to:  Provider  Customer

Order will ship to Provider unless otherwise noted.

SPTN: Top End Pro Tennis Aluminum Wheelchair .....\$2,395.00

1. SEAT WIDTH: 12"<sup>1</sup> 13" 14" 15" 16" 17" 18" 19" 20"

2. SEAT DEPTH: 12" 13" 14" 15" 16" 17" 18"

Screw-on Seat Upholstery..... Standard

3. SEATEXTENSIONS/HANDLES:<sup>2</sup>

None (Std.)  Right Only  Left Only  Right and Left (both)

4. ADJUSTABLE SEAT HEIGHT: choose tall or short

TALL: Front Seat Height 19-21": set at \_\_\_\_\_ (19 Std)

Rear Seat Height 15-21": set at \_\_\_\_\_ (17 Std)

SHORT: Front Seat Height 17-19": set at \_\_\_\_\_ (18 Std)

Rear Seat Height 13-19": set at \_\_\_\_\_ (16 Std)

5. FOOTREST: Platform Footrest (w/ Velcro strap).....Standard<sup>3</sup>

TER124 Footrest Click strap upgrade..... 75.00

6. AXLE POSITION: "CENTEROFGRAVITY"<sup>4</sup>

Adjustable Axle Position: 3.5" to 6" Set at \_\_\_\_\_ (5.0 Std)<sup>5</sup>

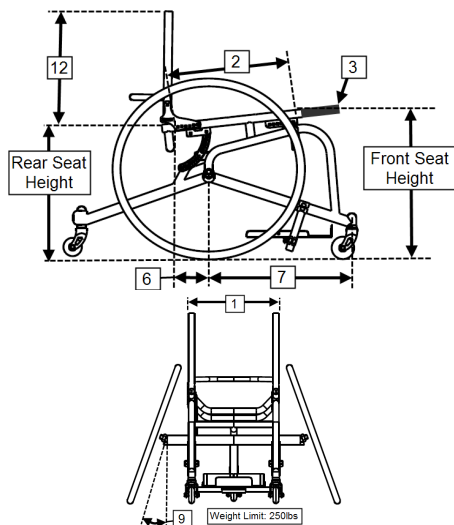
7. WHEEL BASE: 15" (Short) 17" (Med) (Std.) 19" (Long)

Wheel Base Guide			
Seat Depth	14"	15", 16"	17", 18"
Recommended Wheel Base	15" (Short)	17" (Med)	19" (Long)

8. ANTI-TIP/5<sup>TH</sup> WHEEL: Fixed Single Anti-tip Standard

TER102 Telescoping..... 200.00

9. CAMBER:  15°  18° (Std.)  20° (no other camber available)



### FOOTNOTES

<sup>1</sup> 12" Seat Widths will receive an oval sport footplate.

<sup>2</sup> Seat Extensions offer support during tennis play and are removable.

<sup>3</sup> Platform Footrest includes Adjustable Angle Plate with Toe Stop, and Velcro Strap. Footrest adjusts Up/Down, Fore/Aft, Angle.

<sup>4</sup> Measure the user's existing chair from the Front of the Backpost, horizontally (as shown in side view pg 1), to the center of the rear axle.

<sup>5</sup> Adjustable Center of Gravity: Non-folding, angle adjustable backrest. If side guards are desired, Clamp-on style is the only compatible option.

10. REAR WHEEL SIZE:  24"(540)  25"(559)  26"(590)

Wheel Size Guide			
Rear Seat Height	16.0" or less	16.5" - 19.0"	19.0" - 21.0"
Recommended Wheel Size	24"(540)	25"(559)	26"(590)

Sun® Performance Wheels w/ High Pressure Primo Tires..... Standard

TER131 Spinerge® SLX (4mm) upgrade (24 spokes) ..... 895.00

Spoke color: (choose one)  Black  Yellow  White  Red  Blue

TER67 Spinerge® Spox (3mm) upgrade (24 spokes) ..... 695.00

Spoke color: (choose one)  Black  Yellow  White  Red  Blue

TER6 Crossed Spoke Upgrade (not available for Spinerge wheels)..... 125.00

TER101 Kenda® Tires:  Red or  Yellow..... 75.00

11. PUSHRIMS, ANODIZED (Aluminum)

Standard mount..... Standard

Close mount..... NC

TER40 Cut Tabs Aluminum pushrim ..... 80.00

TER129 12-Tab upgrade (Alum, Spinerge only)..... 150.00

TER08 Coated Pushrims..... 100.00

12. BACK: Non-folding, Adjustable Angle, Fixed Backrest

Adjustable Tension Back Upholstery ..... Standard

Height Ranges:  Short 9" - 11"  Low 11" - 14"  Med 14" - 18"

13. SIDE GUARDS:

TER95 Clamp-On Fixed aluminum side guards ..... 125.00

SAFETY AND COMFORT OPTIONS:

TER14 Cushion, soft  2"  3"..... 75.00

TER33 Cushion, hard  2"  3"  4"..... 125.00

TER35 Frame protector - rear ..... 20.00

TER126 Click strap large (pad length ~12")..... 86.00

TER125 Click strap medium (pad length ~10")..... 80.00

TER124 Click strap small (pad length ~8")..... 75.00

TER128 D-Ring positioning belt..... 100.00

RACE22 Top End T-Shirt,  L  XL..... 10.00

FRAME COLOR AND UPHOLSTERY

UPHOLSTERY  Black std  UPHI Camouflage \$100.00

CONTEMPORARY COLORS

Wet Black  Black Prism  White Snow

Silver Metallic  Silver Vein  Copper Penny

WAY COOL COLORS

Electric Blue  Midnight Blue  Cosmic Blue

Electric Teal  Emerald Green  Grasshopper Green

TOO HOT COLORS

Tangerine Red  Electric Red  Grape Madness

Safety Yellow  Sunkissed Orange  Fruit Fusion

# Top End® Pro™ Tennis Wheelchair



**Invacare Corporation**

**TOP END**

Sports and Recreation Products  
4501 63<sup>rd</sup> Circle North  
Pinellas Park, FL USA  
33781-5914

[www.invacare.com](http://www.invacare.com)

All rights reserved. Trademarks are identified by the symbols ™ and ®. All trademarks are owned by or licensed to Invacare Corporation unless otherwise noted. Spinergy is a registered trademark of Spinergy, Inc. Sun is a registered trademark of Sun Components Inc. Kenda is a registered trademark of Kenda Rubber Industrial Co. Ltd. Specifications and prices are subject to change without notification.  
©2009 Invacare Corporation