

Invacare® Top End® X-Terminator™ QR

Price List and Order Form

Effective January 1, 2006



Yes, you can.™

For accuracy of ordering, please fax to Top End at 727-522-1007.

For questions call 1800-532-8677 or 727-522-8677.

To order Literature: 800-828-6282.

www.invacare.com

Provider Name _____ Date _____ Top End Job Number _____
 Account # _____ P.O. # _____ Phone # _____ Fax # _____
 Address _____ City _____ State _____ Zip Code _____
 Customer Name _____ Phone No _____
 Address _____ City _____ State _____ Zip Code _____

Ship order to: Provider Customer Order will ship to Provider unless otherwise noted.

Chair Type
 TERXQ Invacare Top End X-Terminator QR\$2,795.00 _____

1. Seat width: 12" 13" 14" 15" 16"
 17" 18" 19" 20" other _____ standard

2. Seat depth: 14" 15" 16" 17" other _____ standard

3. Seat height front: 17" 18" 19" 20" 21" other _____ standard

4. Seat height rear: 13" 14" 15" 16" 17" other _____ standard
 (13" - *25 - 520 / 25 - 540 wheels only w/12° or 15° camber)

5. Distance rear - front caster: 22" 24" 26" standard
 (recommend 26" for defense, 24" for offense)

6. Back: Fixed standard
 TER3 Folding (not available on back height less than 10")250.00 _____

7. Backrest height:
 Fixed 10" 11" 12" 13" 14" 15" 16" No charge
 or Adjustable height range No charge
 Low 11" - 14" Med. 14" - 18" Tall 16" - 20"

8. Back angle: 0° 3° 5° 7° standard

9. Wings:
 TER38 QR offensive wings 175.00 _____
 Wing position: In front of caster Behind caster

10. Wing Vertical Reinforcement Bar: Yes No
 TES1 Custom wings (diagram must accompany order) quote

11. QR bumper: (standard is diagramed on form) standard

12. Camber tube 2000: (choose one)
 12° 15° 18° 20° standard
 TER64 Additional camber tube 2000 (choose one) 150.00 _____
 0° 3° 6° 12° 15° 18° 20°
 (*0, 3, and 6° can be ordered only with the wings omitted)

13. QR anti-tip bar:
 TER52 Single swivel 150.00 _____
 TER53 Double swivel 175.00 _____
 TER54 Double non-swivel 125.00 _____
 TES1 Custom anti-tip bar (diagram must accompany order) quote

Frame Color
CONTEMPORARY COLORS
 Wet Black Black Prism Midnight Blue
 Silver Metallic Silver Vein

WAY COOL COLORS
 Electric Blue Lolly Pop Blue Cosmic Blue
 Celestial Purple Vivid Violet Electric Teal
 Emerald Green Shamrock Green Grasshopper Green

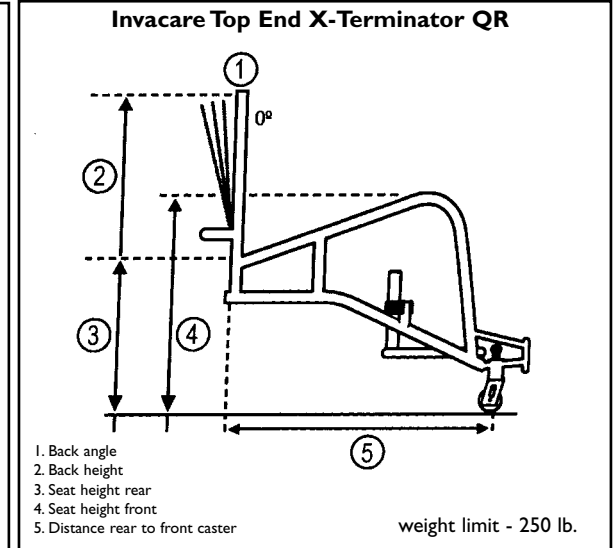
TOO HOT COLORS
 Tangerine Red Electric Red Grape Madness
 Sunny Yellow Sunkissed Orange
 Fruit Fusion Bubble Gum Pink

Special Instructions:

Footnote:

1. If no color chosen, black will be shipped. 2. Kenda tires are available in 24", 25" and 26" sizes.

All prices subject to change w/o notice. All prices in U.S. Dollars. All orders F.O.B. Pinellas Park, Florida, USA
 For the most current pricing information refer to www.invacare.com.



Performance wheels:
 (double wall rim/high flange hub/high pressure tires)

Rear wheel size: standard
 24" (25 - 540) 25" (25 - 559)
 26" (25 - 590)

TER67 Spineray® Spox wheels550.00 _____
 24" (25 - 540) 25" (25 - 559) 26" (25 - 590)
 Black Yellow

TER5 Omit build for 150.00 _____
 TER6 Crossed spokes 125.00 _____
 TER21 Spoke guards 75.00 _____
 Black 24" & 26" Clear

TER39 Raised QR spoke guards 100.00 _____
 TER34 Continental tubular tires (pair) 125.00 _____
 (25 - 540 or 25 - 590 only)

TER101 Kenda® tires: Red Yellow 75.00 _____

Pushrims:
 Close mount Standard
 TER8 Coated 100.00 _____

Front wheel size: 3" (solid) standard

Options:

TER13 Detachable push handles 75.00 _____
 TER14 Cushion 2" 75.00 _____
 TER15 Cushion 3" 75.00 _____
 TER51 Folding side guards (folding back only) 175.00 _____
 TER20 Fixed aluminum side guards 175.00 _____
 (fixed back only)
 Even w/wheels 1" Above

TER27 Quad release axles 125.00 _____
 TER35 Frame protector (rear) 20.00 _____
 TER37 Frame protector pair (front) 40.00 _____
 XLT33 Alignment gauge 75.00 _____

Total _____

Invacare® Top End® X-Terminator™ QR

Measuring Guidelines

Seat Width - Measure Chrome-moly frame outside to outside in 1" increments. (12" to 20").

Seat Depth - Measured by the length of upholstery from the front of the seat sling to the back post. Standard is 15" for Quad Rugby but available from 14" to 17". Quad rugby players typically sit w/feet tucked back for protection.

Seat Height Front / Rear - Floor to top of tube in the front and rear respectively, front range is 15" - 21", rear 13" - 21". Most daily use chairs have a 1" - 3" difference. Sport application depends on the sport and the ability/disability. High level injuries prefer more drop in the seat and lower injuries less. The drop adds balance, security in the seat and better positioning for high injuries. This is very evident in quad rugby as a typical "squeeze" is 4" - 6".

Distance Rear - Front Caster - Ranges from 22" - 26" for QR - measured from the outside frame to center of front caster housing. The shorter the person the shorter the chair. 26" is usually recommended for defensive .5 - 1 point players.

Back - Fixed is recommended for quad rugby. Backrest height ranges from 10" to 18". For adjustable backrest height, simply indicate 11" - 14" or 14" - 18". Adjustable backrest height recommended for QR.

Back Angle - Indicate degree of back. 0° = 90° back angle. 3° is recommended for quad rugby.

QR Wings - Offensive QR wings are used to prevent "hooking." Recommended for points 2 - 3.5 players. Offensive 3 or 3.5 players prefer wings in front of caster while 2, 2.5's prefer them behind the caster.

QR Bumper - QR Bumpers standard per drawing on front of form. Custom bumpers are available and can be fabricated w/specific drawings.

Camber - Camber is used to describe the amount of angle in the rear wheels (in at top/out at the bottom).

Camber gives the chair more stability and quicker turning ability. The downfall is that it increases the overall width of the chair. For quad rugby, basketball and tennis, the most popular camber is 12° - 15°. Available from 0° - 20°

Customary QR Features:

Adjustable Back / Seat Upholstery - Will allow for a custom "sport" fit.

Adjustable Quad Rugby Footrest System - The front vertical trap is fabricated at the legal height. An inside height adjustable footrest is built 8" deep w/plastic cover and then is clamped to the frame. The inside footrest can then be raised to position the legs for "pocketing" the ball. The footrest has a foot strap to secure the feet.

Coated or Anodized Pushrims - Automatically mounted close for QR.

QR Swivel Anti-Tip Bar - Allows for quick turns and great get away. Available as single or double swivel.

Rear Wheels - Standard size is 24" (25 - 540). For those customers that want to sit higher or "push more wheel" 26" (25 - 590) is available. An in between size is the 25" (25 - 559) which offers a happy medium. Double wall rim, high flange hubs, and high pressure tires are standard.

Front Caster - For court sports, the 3" in-line wheel is preferred.

QR Options - Many options are available. The most common options for QR include raised QR spokeguards, fixed aluminum side guards, continental tubular tires and an extra camber tube. Frame protectors are recommended for both front and rear.

Color Selection - See Color Selection Guide for details.

Invacare Corporation

www.invacare.com



Yes, you can.™

INVACARE TOP END

4501 63rd Circle North
Pinellas Park, FL USA
33781-5914
800-532-8677

Invacare, the medallion design and Top End are registered trademarks and X-Terminator and Yes, you can. are trademarks of Invacare Corporation. Spinergy is a registered trademark of Spinergy Inc. Kenda is a registered trademark of Kenda Rubber Industrial Co. Ltd. Specifications and prices are subject to change without notification.
©2006 Invacare Corporation

Form No. 96-262
P1996_262D