

Top End® Twirl™ Dancing Wheelchair

Price List and Order Form

Effective **October 1, 2010** revised **January 1, 2011**

For accuracy of ordering, please fax order to Invacare Customer Service 800-678-4682

For questions call 800-333-6900.

To order Literature: 800-828-6282

www.topendwheelchair.com



Provider Name _____ Date _____ Top End Job Number _____
 Account # _____ P.O. # _____ Phone # _____ Fax # _____
 Address _____ City _____ State _____ Zip Code _____
 Customer Name _____ Phone No _____
 Address _____ City _____ State _____ Zip Code _____
Ship order to: Provider Customer **Order will ship to Provider unless otherwise noted.**

Special Note

HCPCS codes are not intended to be, nor should be considered billing or legal advice. Providers are responsible for determining the appropriate billing codes when submitting claims to the Medicare Program and should consult an attorney or other advisor to discuss specific situations in further detail.

FRAME TYPE:

- TWRL Top End Twirl Dancing Wheelchair2,536.00 ¹

FRONT FRAME MODIFICATONS: (CHOOSE ONE)

- TFE Tapered Front End No Charge ²
 CRF2 Non Tapered "V" Front End200.00 ³
 CRF1 Tapered Seat Width150.00 ⁴

TAPER DIFFERENCE REAR TO FRONT (SELECT ONE)

- CRFDRF1(-1") CRFDRF2(-2")
 CRFDRF3(-3") CRFDRF4(-4")

FORK OPTIONS:

- CRF59 Frog Legs® Suspension Forks (E1015)375.00 ⁵
 FLOSF Frog Legs® One Sided Forks 150.00 ⁶

SEAT WIDTH:

- W12 W13 W14 W15 W16 W17 W18
 CRF105 W19100.00
 CRF105 W20 (E2201)100.00

SEAT DEPTH:

- D14 D15 D16 D17 D18 No Charge
 CRF106 D19100.00
 CRF106 D20 (E2203)100.00

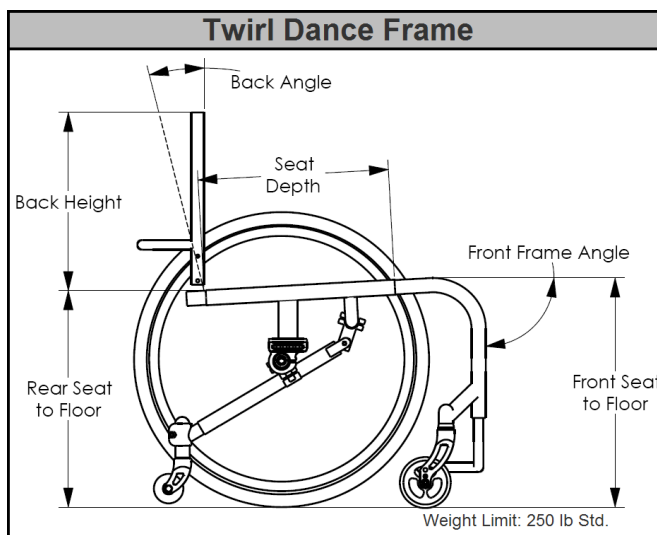
FRONT SEAT-TO-FLOOR HEIGHT: ²

- FSTF 17" 17.5" 18" 18.5"
 19" 19.5" 20" 20.5" 21"

	Knee-to-Heel Range		
	Front Seat-to-Floor		
17"	12.25" – 16.25"	20"	15.25" – 19.25"
18"	13.25" – 17.25"	21"	16.25" – 20.25"
19"	14.25" – 18.25"		

FOOTNOTES

- ¹ Twirl is built of 6061T6 Aluminum.
² Tapered front end not available with front seat heights of 16" or 17".
³ Not available w/tapered seat width or tubular footrest.
⁴ Tapered seat width tapers rear to front up to a maximum difference of 4". The front seat width measures the same as the outside of the footrest or straight so there is no tapered or V front end. Foot space widths is 2.25" less than front frame width. Not available with Ergo seat or widths of 12" or 13".
⁵ Front suspension forks not available with 85 or 90° front frame angle, seat depths less than 16" or one-sided forks.
⁶ Black anodized color only.



REAR SEAT-TO-FLOOR HEIGHT:

- RSTF 15" 15.5" 16" 16.5" 17" 17.5"
 18" 18.5" 19" 19.5" 20" 20.5" 21"

ERGO SEAT OPTION

- CRF104 Ergo Seat w/Tapered Front End 250.00 ⁷
 CRF110 Ergo Seat w/V Style Front End 350.00 ⁷

FRONT FRAME ANGLE:

- FFA70 FFA75 FFA80 FFA85 FFA90

CENTER OF GRAVITY:

- CRF111 **Dance Position** 5.00" – 8.25" No Charge ⁸
 Dance anti-tip Standard

Wheel Type	Overall Width by Camber Angle			
	0°	3°	6°	9°
Spoke	6.75"	8"	10"	12.25"
Add the amount above to the seat width to obtain the overall width at its widest point.				

FOOTNOTES

- ⁷ Not available with tapered seat width. 15" is the lowest rear seat height for 24" wheels with std. tires and 15.5" for 25" wheels with std. tires.
⁸ Measured from the front of the back post to the center of the rear axle.

Top End® Twirl™ Dancing Wheelchair

Accessories and Options

CAMBER SYSTEM:

- CRF633 3° Camber Tube with Single Camber No Charge
- CRF636 6° Camber Tube with Single CamberStandard
- CRF639 9° Camber Tube with Single Camber No Charge
- CRF643 3° Extra Camber Tube150.00
- CRF646 6° Extra Camber Tube150.00
- CRF649 9° Extra Camber Tube150.00

REAR WHEEL OPTIONS: (SEE WHEEL/TIRE CHART)

- CRF24HPS 24" Sun® High Performance SpokeNo Charge
- CRF25HPS 25" Sun High Performance SpokeNo Charge
- CRF6724 24" Spinerge Spox Wheels* 695.00
- TED134 24" Spinerge LX Wheels*(12 spoke) 895.00
- CRF6725 25" Spinerge Spox Wheels* 695.00
- TED135 25" Spinerge LX Wheels*(12 spoke) 895.00

*Spinerge Spoke color (If color is not chosen, spokes will be black.)

- SPCY – Yellow SPCBK – Black SPCBW - White
- SPCR -- Red SPCBL – Blue

- CRF27 Quad Release Axles 125.00
- CRF76 Titanium Axles 150.00

TIRE OPTIONS: (SEE WHEEL/TIRE CHART)

- CRFPR Primo High Pressure Tires: Grey No Charge
- CRF123 Schwalbe 1" Flat resistant: black 9
- CRF101R Kenda® High Pressure Tires: Red 75.00
- CRF101Y Kenda High Pressure Tires: Yellow 75.00

ANODIZING ACCENTS: STD. FORKS AND BACK ANGLE BRACKET

- ANOBLK Bold Black Standard
- ANOSLV Classic Silver No Charge
- TED140 Shadow Blue 50.00
- TED198 Victory Red 50.00

MOUNTING HANDRIMS:

- OUT Standard Mount Handrim **Standard**
- IN Close Mount Handrim No Charge

HANDRIM OPTIONS:

- CRF77 Aluminum Anodized Handrims **Standard**
- CRF75 Titanium Handrims 600.00 ¹²
- CRF8 Coated Handrims (K0059) 100.00
- NFSDLT Natural Fit® LT Standard Grip Handrims 325.00 ¹²
- NFSPLT Natural Fit® LT Super Grip Handrims 370.00 ¹²
- CRF99 Natural Fit® Standard Grip Handrims 295.00 ¹²
- CRF98 Natural Fit® Super Grip Handrims 340.00 ¹²

FOOTPLATE OPTIONS:

- CRFTFR 1 Piece Tubular Footrest No Charge ¹³
- CRF1FP Adjustable Angle One Piece Footplate (K0040) No Charge ¹⁴
- CRF191 Adjustable Angle Footrest with 2" Risers 95.00

FOOTREST/LEGREST ACCESSORIES:

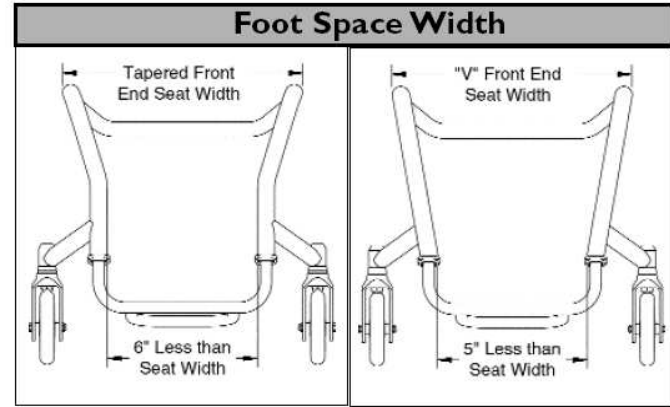
- CRF10 Plastic Footrest Cover 75.00 ¹⁵
- CRF89 Carbon Fiber Footrest Cover 125.00 ¹⁵
- CRF28 Frame Protector Set (2 front, 1 rear) 60.00
- CRF103 Luggage Carriers 100.00
- CRF133 Calf Strap **Standard**

SEAT ACCESSORIES:

- CRF29 Seat Pouch 35.00
- CRF72 Positioning Strap – Hook & Loop (K0978) 40.00
- CRF74 Positioning Strap – Auto Style (K0978) 50.00

FOOTNOTES

- ¹³ One piece tubular footrest does not have a cover.
- ¹⁴ Adjustable angle one-piece footplate is standard for frames with V style front.
- ¹⁵ Tubular footrest only.



FOOT SPACE WIDTH: = standard as per diagram above.
 Exception: seat widths of 12", 13", and 14" will have foot space width of 8".

BACK TYPE: ⁹

- LKDOWN Lock-Down, Folding Ht/angle Adj. BackStandard
- CRF1070 Fixed Back w/ Fixed Angle Welded at 0°, Adj Ht 200.00 ¹⁰
- CRF1073 Fixed Back w/ Fixed Angle Welded at 3°, Adj Ht200.00 ¹⁰

BACK HEIGHT: (CHOOSE ONE) ^{9,10}

- BH811 – 9" – 11" BH1014 – 10" – 14" BH1216 – 12" – 16"
- BH1418 – 14" – 18" BH1620 – 16" – 20"

BACK UPHOLSTERY AND ACCESSORIES:

- CRFBAT Ballistic Nylon Adj. Tnsn Uph w/Straps & Anchors **Standard**
- MESH Breathable Mesh Adj. Tnsn Uph w/AnchorsNo Charge
- CRF82 Push Handles adjustable height bolt-on200.00 ¹¹
- CRF13 Push Handles non-adjustable bolt-on75.00
- CRF97 Bolt-through Integral Push Handles100.00

FRONT WHEELS/FORKS:

- CRFF3 3" Micro No Charge
- TED165 3" Aluminum Soft Roll90.00
- CRF654 4" Semi-Pneumatic No Charge
- CRFA654 4" Aluminum Soft Roll (E2219)90.00
- CRF884 4" Lighted Front Wheels70.00

Wheel/Tire Chart – Applies to Spoke, Sun & Spinerge FWheels			
Tire Choices	24"	25"	25"
Primo: 1" high pressure grey clincher	X	X	
Kenda: 1" high pressure clincher	X	X	
Schwalbe 1" Black flat resistant	X	X	
1-3/8" grey treaded	X		
1-3/8" w/ flat free	X		
Solid 1" no-flat	X	X	
Knobby: 2" wide grey	X	X	

FOOTNOTES

- ⁹ Folding or fixed back available. Folding back is manufactured of 1" aluminum tubing and is only available with adjustable height (3/4" tube telescoping in 1" tube).
- ¹⁰ Maximum height on fixed back is 16". Fixed back is manufactured in 1" aluminum and is available in fixed or adjustable height (7/8" telescoping in 1" tube). Welded integral push handles only available with fixed back height.
- ¹¹ Bolted to the back post and have 10" of adjustment up or down. 16" tall. Adjustable height push handles are not compatible with swingaway arms. The non-adjustable push handles (CRF13) or integral style will work.

Top End® Twirl™ Dancing Wheelchair Accessories and Options

CUSHIONS: ¹⁶

- TED14 2" Soft Cushion.....104.00

SEAT UPHOLSTERY:

- CRFATS Adj. Tension Seat w/ Straps & Anchor Loop..Standard ¹⁷

ARM TYPE

- CRF78 Swingaway Arms..... No Charge ¹⁸

ARM ACCESSORIES

- CRF121 Fold-in Style Black Aluminum Side Guards..... ¹⁹ 125.00
 CRFSG Fold-in Style Carbon Fiber Side Guards ¹⁹ 325.00
 CRF79 Removable Side Guards/Fender..... 175.00
 CRF19 Removable Side Guards without hole..... 125.00
 CRF18 Removable Side Guards with hole (quad)..... 125.00
 CRF20E Fixed Aluminum Side Guards Even w/wheels..... ²⁰ 175.00
 CRF201 Fixed Aluminum Side Guards 1" above wheels... ²⁰ 175.00
 CRF83E Fixed Carbon Fiber Side Guards Even w/wheels. ²¹ 250.00
 CRF831 Fixed Carbon Fiber Side Guards 1" above wheels.... ²¹ 250.00

WHEEL LOCKS (CHOOSE ONE)

- CRFPUL Pull to Lock Wheel Locks..... No Charge
 CRFPSH Push to Lock Wheel Locks No Charge
 CRFOWL Omit Wheel Locks No Charge

MISCELLANEOUS ACCESSORIES

- TED136 Chair Armor Black Neoprene Frame Protectors 65.00
 TED137 Chair Armor Blue Neoprene Frame Protectors..... 65.00
 TED138 Chair Armor Red Neoprene Frame Protectors..... 65.00
 CRF21C Spoke Protectors: Clear (K0065)..... 75.00
 CRF94 Alignment Gauge 75.00
 RACE22 Top End T-Shirt, Blue L XL..... 10.00²²

FRAME COLOR AND UPHOLSTERY

UPHOLSTERY Black std

CONTEMPORARY COLORS

- Wet Black Black Prism White Snow Silver Metallic

WAY COOL COLORS

- Electric Blue Midnight Blue Grasshopper Green

TOO HOT COLORS

- Tangerine Red Electric Red Grape Madness
 Safety Yellow Sunkissed Orange Bubblegum Pink

FOOTNOTES

¹⁶ Cushions are filled with 2" soft foam which offer minimum protection. If a therapeutic cushion is needed please order from Invacare Customer Service 1-800-333-6900.

¹⁸ Adjustable in 1" increments from 10.5" to 12.5" (top of seat rail to top of armrest). Adjustable height push handles are not compatible with swingaway arms. The non-adjustable push handles (CRF13) or integral style will work.

¹⁹ Fold-in Style SG: Fold-in style flip back for easier transfers and are adjustable in height. Compatible with both high (push or pull to lock) or undermount (scissor) wheel locks. Not available with adjustable height push handles if back height is 10-14" or less.

²⁰ Fixed back only.

²¹ Fixed back only. Not available w/tapered seat width.

FOOTNOTES

²² Dealer discount does not apply.



Invacare Corporation www.invacare.com

USA

One Invacare Way
 Elyria, OH USA
 44035-4190
 800-333-6900

All rights reserved. Trademarks are identified by the symbols TM and [®]. All trademarks are owned by or licensed to Invacare Corporation unless otherwise noted. Sun[®] is a registered trademark of Sun Components Inc. Spinergy[™] is a registered trademark of Spinergy Corp. Natural Fit is a registered trademark of Three Rivers Holding, LLC. Frog Legs is a registered trademark of Frog Legs, Inc. Schwalbe is a registered trademark of RALF BOHLE GmbH in Reichshof Germany. Kenda is a registered trademark of Kenda Rubber Industrial Co. Ltd. Specifications and prices are subject to change without notification.
 ©2011 Invacare Corporation